

**CX D-SERIES CRAWLER EXCAVATORS**  
**CX145D SR | CX245D SR**

**CASE**  
CONSTRUCTION



**IT'S TIME**  
**FOR MORE**

[www.casece.com](http://www.casece.com)

**EXPERTS FOR THE REAL WORLD**  
**SINCE 1842**

# HERITAGE

## A TRADITION OF INDUSTRY FIRSTS



## EXPERTS FOR THE REAL WORLD SINCE 1842

**1842** CASE is founded.

**1869** The first CASE portable steam engine - road construction is born.

**1957** The first factory - integrated loader/backhoe in the world: a CASE industry first.

**1969** CASE begins skid steer loader production.

**1992** Sumitomo becomes supplier to CASE Corporation distributing excavators ranging from 7 to 80 tons.

**1998** Global Alliance signed between CASE Corporation and Sumitomo.

**2001** CASE introduces the first of its CX excavators, powerful new "thinking machines" designed to enhance productivity through onboard intelligence features.

**2007** CX210B is awarded the «Good Design Award» by the design Academy of Japan.

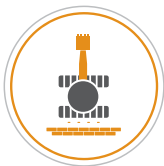
**2008** CX210B wins the 18th «Energy Conservation Award» from the

Agency for Natural Resources and Energy of the Japanese Ministry of Economy.

**2011** CASE becomes the first construction equipment manufacturer to offer both selective catalytic reduction and cooled exhaust gas recirculation as solutions to meet stringent emissions standards.

**2015** CASE launches the new "D series" Tier 4 final/ EU Stage IV Crawler Excavators.

# CRAWLER EXCAVATORS D-NA BUILT TO LAST AND CONTROL



## COMPACT PERFORMANCE

The CASE Short Radius models are the perfect machines for jobsites where space is limited, such as road or urban construction.

Our SR models bring to your jobsite all the benefits of the D Series, so that you can get the job done in confined spaces with no compromise on performance.

The higher operating weight and longer undercarriage in blade configuration ensure greater stability

The machines offer best-in-class lift capacity, delivering high productivity across a great variety of applications.



## FAST CYCLES

High performance hydraulics control

- The new electrically controlled pumps deliver faster cycle times.
- Oil flow can be adjusted according to working needs, or increased smoothly when starting travel and boom down.
- As a result, the machine responsiveness to operation load is multiplied, resulting in cycle times up to 5% faster than the previous generation.



## HIGH PRECISION AND CONTROLLABILITY

Smooth control with the CASE Intelligent Hydraulic System

The proven CASE Intelligent Hydraulic System (CIHS) delivers impressive machine control with unrivalled energy savings in all cycle time phases (digging, boom up and swing, dumping).

# D-SERIES CRAWLER EXCAVATORS



## HIGH VERSATILITY

### Wide offering

Versions with and without blade, Mono boom, 2 piece boom and offset boom to match the different working needs.

### Working modes easily adapt to every work load

The familiar working mode systems offers 3 power modes to match different requirements.

- A** MODE for grading, lifting and precision work.
- H** MODE the best balance between productivity and fuel economy.
- SP** MODE extra speed and power for the most demanding jobs that require maximum productivity.

**Auto Power boost** automatically increases hydraulic pressure according to the operation's demands.

## HIGH QUALITY

### Accurate, simple and robust design for high durability

- True to CASE's enviable reputation for reliability and durability, the D-Series delivers leading design solutions and manufacturing quality.
- Wide choice of arm solutions, including the heavy-duty arm with reinforcement plate and bars on the bottom side.

# PRODUCTIVITY

## IT'S TIME FOR BIGGER PERFORMANCE



### HIGH EFFICIENCY

#### Great performances with low fuel consumption

CASE advanced energy management provides solid fuel saving opportunities and lower emissions, and helps to prolong the life of the machine. It consists of 5 Energy Saving controls:

- Torque control decreases main pump loads to prevent a drop in engine rpm
- Boom Economy Control (BEC) Increases fuel efficiency during boom lower and swing operations, such as dump unloading
- Swing Relief Control (SWC) carefully manages the hydraulic power distribution in slewing operations to deliver the most efficient flow and pressure.
- Spool Stroke Control (SSC) creates an automatic pressure adjustment during digging and leveling operations.
- Idle functions: the Auto Idle function lowers engine rpm after 5 seconds of lever inactivity independently of the throttle's position, while the Idle Shutdown function shuts the engine down after a pre-set time. Both are manually switchable.



### CLEAN AND MAINTENANCE-FREE POWER

#### EU Stage IV/TIER4 Final compliant CASE engines

- Maintenance-free SCR and DOC-only solution
- No Diesel Particulate Filter (DPF) or regeneration are required as no solid particles remain trapped into the system, resulting in maximum uptime and lower operating costs.
- High engine efficiency of the latest generation, electronically controlled, high pressure common rail with multi-injection engine ensures great performances and low fuel consumption.
- The system is also very economical in its use of AdBlue, which is just 2.5%- 3% of fuel consumption. The large AdBlue tank only needs to be refilled every 5 fuel refills, so that no time is wasted.

# D-SERIES CRAWLER EXCAVATORS



## COMFORTABLE AND SAFE CAB

The ultimate interior cab configuration

- Superior cab structure with ample legroom for the operator.
- Fully adjustable workstation
- New ergonomically designed highback seat with air suspension for excellent comfort.
- Optional seat tilting adjustment and seat heater.
- Top class features include 178 mm colour LED Monitor, bluetooth tuner and radio, spacious storage compartment, 12v accessory plug, clipboard holder, mobile phone holder, warm and cool box, fuse box service connection, storage tray and ergonomic arm rest.



## SMOOTH RIDE, QUIET WORK ENVIRONMENT

Soundproof pressurised cab

- The cushioning system lowers noise and vibration levels for the operator's ultimate comfort.



# COMFORT RULES FIRST CLASS CAB AND SEAT



# D-SERIES CRAWLER EXCAVATORS



## SAFE OPERATION

### ROPS cab and FOPS level II

Designed to provide superior safety on the job site while increasing productivity

- Reinforced cab structure compliant with ROPS/FOPS requirements.
- Standard head protection approved to FOPS Level 2.
- Wide offering of optional front guards.
- Optional factory fitted travel alarm for greater safety on the jobsite around the machine.



## SAFE AND EASY MAINTENANCE

### Keep your feet on the ground with CASE

- All filters and regular fill points are grouped for easy access.
- Engine oil change intervals set at 500 hours.
- Radiator and cooler cores mounted side by side for easy access for cleaning and more efficient cooling.
- Standard 100 l/min refueling pump with automatic cut off reduces downtime for regular fills.
- Optional hydraulic and engine oil sampling port accessible at ground level for easy oil check.
- Battery Shutdown Switch for safe maintenance on the electrical system.
- All the D-series crawler excavators feature the Extended Maintenance System (EMS) bushings, providing 1,000 hour greasing intervals on all pins except the attachment linkage.





# SAFETY AND MAINTENANCE

## WORK SAFELY IN ALL CONDITIONS



### OUTSTANDING VISIBILITY

#### Safety-minded cab structure

Cab designed to create a perceptibly safe and secure working environment:

- Ample glazed surface
- Efficient use of space with grouped engine, cooling and after-treatment systems to provide excellent rear visibility.
- Rear & side view cameras as standard
- Optional CASE maximum view monitor (230° rear & side view)
- New optional LED lighting package provides a deeper and wider visibility coverage of the area around the machine when working after dark.



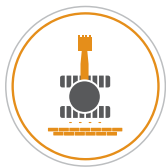
### SAFE ACCESS TO UPPERCARRIAGE

#### Solid and robust platform and handrails

- Wide, robust and comfortable steps for safe access to the top of the hood.
- Non-slip plates and top hood cover are supported by 2 gas pistons and secured by 2 mechanical stops when open.
- ISO Compliant and foldable Guard Rail & Hand Rail for more protection and easier transportability



# MAIN REASONS TO CHOOSE THE D-SERIES



## COMPACT PERFORMANCE

- Perfect machines for jobsites where space is limited
- Best-in-class lifting capacity for high productivity
- Increased operating weight for extra stability



## HIGH PRECISION AND CONTROLLABILITY

CASE Intelligent Hydraulic System (CIHS):  
synonymous with high performance  
smooth control



## HIGH VERSATILITY

- 3 available power modes to match customer needs (A, H, SP)
- Auto Power boost job-sensing hydraulic pressure increase.



## HIGH EFFICIENCY

- Energy saving system to take advantage of all fuel saving opportunities: up to 8% more fuel efficiency
- Best in class levels of AdBlue autonomy with larger AdBlue tank and low additive consumption



## LOW EMISSIONS

- EU Stage IV/Tier4 final compliant
- No DPF
- DOC and SCR-only maintenance-free components





## FAST CYCLES

- Best-in-class cycle times thanks to improved hydraulic system
- New electronically controlled hydraulic pumps



## OUTSTANDING VISIBILITY

- Wide glazed area
- Rear and side view cameras as standard
- Large LED monitor
- Optional CASE maximum view monitor (230° rear & side view)
- Optional LED lighting package



## SMOOTH RIDE, QUIET WORK ENVIRONMENT

- Cab with cushioning system
- Low noise and vibration



## COMFORTABLE AND SAFE CAB

- Extra spacious cab
- Fully adjustable workstation
- New high back seat



## SAFE OPERATION AND MAINTENANCE

- ROPS cab and FOPS level II
- Standard extended handrails and guardrails
- Optional factory fitted travel alarm
- Maintenance points grouped for easy and safe access
- Foldable Guard Rail & Hand Rail





## THE SCIENCE BIT

The CASE SiteWatch telematics system uses a high-tech control unit mounted on each machine to collate information from that machine and from GPS satellites. This data is then sent wirelessly through the mobile communication networks to the CASE Telematics Web Portal.



## SiteWatch: centralised fleet control benefits at your fingertips

### Measure your true asset availability and optimise it

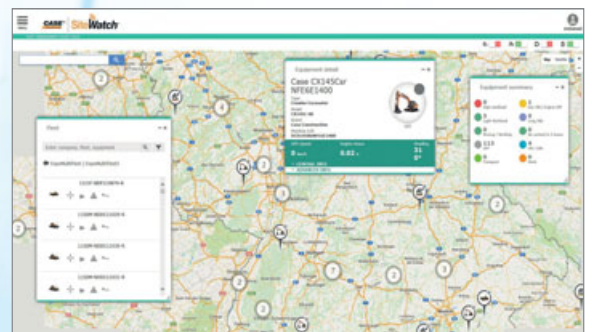
- Eliminate the “phantom fleet”: SiteWatch allows to identify spare units or under loaded machines on each site.
- Become able to reallocate units where they are more needed.
- Forward Maintenance Planning is easier since the actualised working hours are always available.
- Extend the benefits of SiteWatch to the rest of your fleet: SiteWatch can be installed on the units of other brands as well.

### Challenge your Total Cost of Ownership!

- Being able to compare the fuel usage of different machine types will allow you choose the right equipment.
- Save on transport costs with planned and grouped maintenance tasks.
- Peace of mind, optimised uptime and lower repair costs: with preventive maintenance you can for example be alerted if the engine needs to be serviced and avoid a disruptive breakdown.
- Be able to compare your asset Return On Investment on different sites.
- Your equipment is used only during working hours. You can set up alerts so that you know if it is in use during the weekend or at night.
- Integrate with the programmed maintenance package, so that you can be sure every machine is at the right place at the right time.

### More Safety, Lower Insurance Premium

- Keep thieves away: dissuade them from attacking your asset because it is geo-localised. SiteWatch is hidden so that thieves can't find it quickly.
- Your fleet is used only where you decide. You can define a virtual fence and receive an email when a machine exits that perimeter.



# STANDARD AND OPTIONS

## STANDARD EQUIPMENT

### ENGINE

Isuzu 4-cylinder turbo-charged diesel  
Tier 4 Final/EU stage IV Certified  
Selective Catalytic Reduction (SCR)  
Diesel Oxidation Catalyst (DOC)  
Cooled Exhaust Gas Recirculation (CEGR)  
VGT turbocharger  
Electronic fuel injection  
High pressure common rail system  
Neutral safety start  
Auto-engine warm up, emergency stop  
Glow-plug pre-heat  
EPF (Engine Protection Feature)  
Dual-stage fuel filtration  
Dual element air filter  
Remote oil filter  
Green plug oil drain  
500-hour engine oil change interval  
24-Volt system  
Battery disconnect switch  
High ambient temperature cooling package  
External Fuel and AdBlue gauges  
Fuel cooler  
Fuel filter restriction indicator  
Fuel shut-off valve  
Idle start  
Radiator, oil cooler, intercooler – protective Screen  
Refueling Pump

### FUEL ECONOMY SYSTEMS

Engine Idle/Fuel Economy System:  
Auto-idle  
One-touch idle  
Auto-idle shut-down  
Torque control  
Boom Economy Control (BEC)  
Swing Relief Control (SWC)  
Spool Stroke Control (SSC)

## OPTIONAL EQUIPMENT

### HYDRAULICS

Clamshell circuit  
Low-flow circuit, proportional control  
Single acting pedal activated hammer circuit  
Single acting hammer circuit with electrical proportional control  
Multifunction (hammer/high flow) circuit with electrical proportional control

### ATTACHMENTS

#### CX145D SR

Arm 3.0 m  
Arm 2.10 m (HD) CX145DSR Mono

### HYDRAULICS

Electronically controlled hydraulic pumps  
Auto power boost  
Auto travel speed change  
Selectable work modes  
Overload warning device  
ISO pattern controls  
Pre-set auxiliary pump settings  
Switch controlled auxiliary selection  
Auxiliary valve  
Hydraulic filter restriction indicator  
Oil cooler  
5,000 hour hydraulic oil change interval  
2,000 hour hydraulic filter change interval

### UPPERSTRUCTURE

ISO mirrors  
Handrail – RH access  
ISO guard rails  
Isolation mounted cab (fluid and spring)  
Lifting eyes for counterweight  
Lockable fuel cap, service doors and toolbox  
Rear and side view safety camera  
2.85 t counterweight (CX145DSR Blade only)  
3.35 t counterweight (CX145DSR LC only)

### OPERATOR STATION

ROPS protection  
FOPS guard OPG level II  
Pressurized cab  
Tempered safety glass  
One-touch lock front window  
Sun visor&rain deflector  
AC/heat/defrost w/auto climate control  
Hot&coolbox, cup holder & ashtray  
Interior dome light  
Cloth covered air-suspension high-back seat  
Sliding seat – 90 mm  
Seat-belt  
Adjustable armrests  
Tilting consoles - 4-position

### CX245D SR

Arm 1.90 m (HD)  
Arm 2.95 m  
Hydraulic quick coupler provision  
Safety valves and bucket linkage with hook

### HEAVY COUNTERWEIGHT

3.55t heavy counterweight (for CX145DSR LC and CX145DSR Blade)

### OPERATOR STATION

Front cab guard - vertical bars (OPG level 2)  
Front cab guard - vertical bars (OPG level 1)  
Front mesh screen  
Travel alarm

Low-effort joystick controls  
Sliding cockpit 180 mm  
Auxiliary select system  
Aux-in port for personal electronics  
Multifunction LED color monitor (180 mm)  
26 selectable languages for monitor  
Anti-theft system (start code system)  
Rubber floor mat  
12-volt electric socket  
24-volt cigarette lighter  
One-piece right hand window  
Internal & external view mirrors  
Working lights (boom&upperstructure)  
Cab top working lights  
Windshield wiper / washer  
Clear (Lexan) roof window w/sunshade  
Storage compartments  
On-board diagnostic system Torque control

### ATTACHMENTS

#### CX145DSR

Standard boom 4.65 m  
Arm 2.50 m  
2 piece boom  
Off-set boom

#### CX245D SR

Standard boom 5.70 m  
Arm 2.40 m  
2 piece boom

Boom mounted work light  
Auxiliary pipe brackets  
Centralized lube bank  
Attachment cushion valve

### UNDERCARRIAGE

600 mm steel triple grouser shoes  
Full overlap turntable bearing tub  
Sealed link chain  
Lashing points

AM/FM CD/radio with antenna and 2-speakers  
LED lights (8 lights included side view camera with LED lights)  
Case Maximum View Monitor (CMVM) - 3 cameras system  
Travel alarm

### UNDERCARRIAGE

500 mm steel triple grouser shoes (CX145D SR)  
500 mm rubber link chains (CX145D SR)  
600 mm rubber link chains (CX245D SR)  
700 mm steel triple grouser shoes (CX145DSR and CX245DSR)  
800 mm steel triple grouser shoes (CX245DSR)  
900 mm steel triple grouser shoes (CX245DSR LC only)  
Triple track guide





# CX D-SERIES

## CX145D SR

### SPECIFICATIONS

#### ENGINE

Model \_\_\_\_\_ ISUZU AR-4JJ1X  
 Type \_\_\_\_\_ Water-cooled, 4-cycle diesel, 4-cylinder in line, High pressure common rail system (electric control), Turbocharger with air cooled intercooler, SRC system.

Number of cylinders / Displacement (l) \_\_\_\_\_ 4 / 2.99

Emissions level \_\_\_\_\_ Tier 4 final / Eu stage IV

Bore & stroke (mm) \_\_\_\_\_ 95.4 x 104.9

#### Rated flywheel horse power

SAE J1349, ISO 9249 (kW / hp) \_\_\_\_\_ 76.4 / 102 at 2000 min<sup>-1</sup>

ISO 14396 (kW / hp) \_\_\_\_\_ 78.5 / 105 at 2000 min<sup>-1</sup>

#### Maximum torque

SAE J 1349, ISO 9249 (Nm) \_\_\_\_\_ 349 at 1800 min<sup>-1</sup>

ISO 14396 (Nm) \_\_\_\_\_ 356 at 1800 min<sup>-1</sup>

#### HYDRAULIC SYSTEM

Main pumps \_\_\_\_\_ 2 variable displacement axial piston pumps with regulating system

Max. oil flow (l/min) \_\_\_\_\_ 2 x 129 at 2000 min<sup>-1</sup>

#### Working circuit pressure

Boom/Arm/Bucket \_\_\_\_\_ 34.3 MPa – 36.3 MPa with auto power boost

Boom/Arm/Bucket (Offset version only) \_\_\_\_\_ 34.3 MPa

Swing circuit \_\_\_\_\_ 27.9 MPa

Travel circuit \_\_\_\_\_ 34.3 MPa

Offset circuit (Offset version only) \_\_\_\_\_ 31.4 MPa

Pilot pump \_\_\_\_\_ 1 gear pump

Max. oil flow (l/min) \_\_\_\_\_ 20

Working circuit pressure (MPa) \_\_\_\_\_ 3.9

#### Boom Cylinders

Bore (mm) \_\_\_\_\_ 105

Stroke (mm) \_\_\_\_\_ 1120

#### Arm Cylinder

Bore (mm) \_\_\_\_\_ 115

Stroke (mm) \_\_\_\_\_ 1108

#### Bucket Cylinder

Bore (mm) \_\_\_\_\_ 95

Stroke (mm) \_\_\_\_\_ 881

#### Boom Positioning Cylinder (2PB versions)

Bore (mm) \_\_\_\_\_ 140

Stroke (mm) \_\_\_\_\_ 840

#### Blade Operating Cylinder (dozer blade versions)

Pieces \_\_\_\_\_ 2

Bore (mm) \_\_\_\_\_ 115

Stroke (mm) \_\_\_\_\_ 250

#### Offset Operating Cylinder (Offset version)

Bore (mm) \_\_\_\_\_ 120

Stroke (mm) \_\_\_\_\_ 363

#### SWING

Swing Motor \_\_\_\_\_ Fixed displacement axial piston motor

Maximum swing speed (min<sup>-1</sup>) \_\_\_\_\_ 12.5

Swing torque (kNm) \_\_\_\_\_ 37

#### UNDERCARRIAGE

High travel speed (km/h) \_\_\_\_\_ 5.6

Low travel speed (km/h) \_\_\_\_\_ 3.4

Drawbar pull (kN) \_\_\_\_\_ 116

#### Track shoes

LC – Blade \_\_\_\_\_ 500 mm, 600 mm and 700 mm steel triple grouser shoes, 500 mm rubber link chain

2PB – 2PB w/Blade – Off. Boom \_\_\_\_\_ 600 mm

#### CIRCUIT AND COMPONENT CAPACITIES

Fuel tank (l) \_\_\_\_\_ 200

Hydraulic system (l) \_\_\_\_\_ 158

Hydraulic reservoir (l) \_\_\_\_\_ 75

AdBlue tank (l) \_\_\_\_\_ 45

#### SOUND LEVEL

External guaranteed sound level

(EU Directive 2000/14/EC) \_\_\_\_\_ LwA 99 dB(A)

Operator cab sound pressure level (ISO 6396) \_\_\_\_\_ LpA 70 dB(A)

#### OPERATING WEIGHT

	Operating weight	Counterweight (kg)
LC	14500/14700*	3350/3550
Blade	14700/15400*	2850/3550
2 Piece Boom	15200	3350
2 PB w/Blade	15800	3350
Offset	15400	2850

\*with heavy counterweight

#### BLADE DIMENSIONS AND RANGE

##### Blade dimensions

Blade (width x height) (mm) \_\_\_\_\_ 2490 / 2590 / 2690 x 570

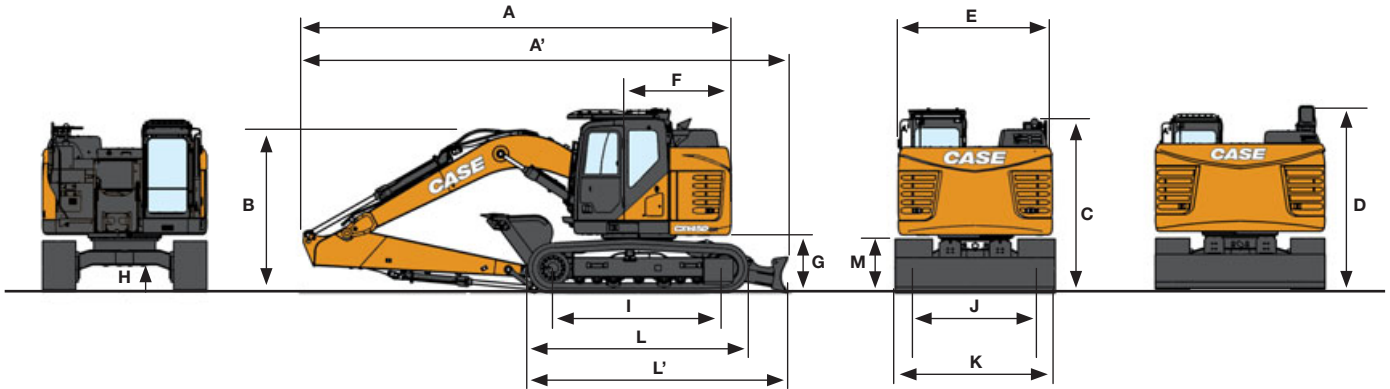
Blade range up / down (mm) \_\_\_\_\_ 510/520



# CX D-SERIES

## CX145D SR

### GENERAL DIMENSIONS



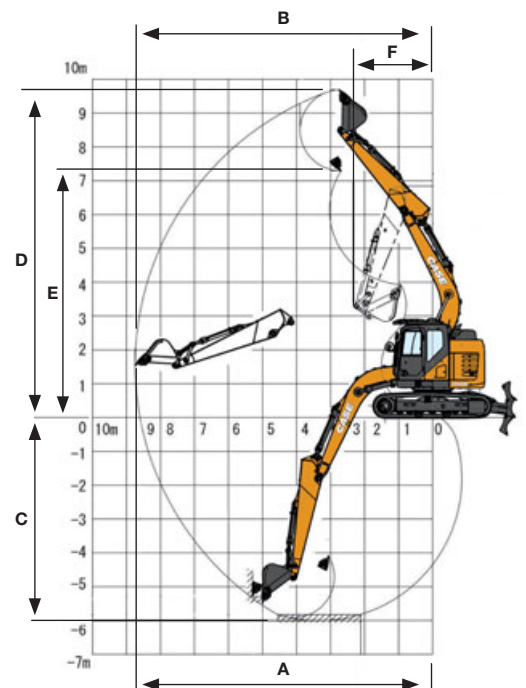
	mm	CX145D SR LC			CX145D SR BLADE		
		Arm 2.5 m	Arm 3.00 m	Arm 2.10 m HD	Arm 2.5 m	Arm 3.00 m	Arm 2.10 m HD
A Overall length (with attachment)	mm	7350	7340	7340	7220	7210	7210
A' Overall length (with attachment & blade)	mm	-	-	-	7880	7860	7870
B Overall height (to top of boom)	mm	2840	2680	2750	2840	2680	2750
C Cab height	mm	2920	2920	2920	2920	2920	2920
D Overall height (to top of guardrail)	mm	2940-2780 (folded handrail)	2940-2780 (folded handrail)	2940-2780 (folded handrail)	2940-2780 (folded handrail)	2940-2780 (folded handrail)	2940-2780 (folded handrail)
E Upper structure overall width	mm	2490	2490	2490	2490	2490	2490
F Swing (rear end) radius STD count./heavy count.	mm	1490/1530	1490/1530	1490/1530	1490	1490	1490
G Clearance height under upper structure	mm	880	880	880	880	880	880
H Minimum ground clearance	mm	420	420	420	425	425	425
I Wheel base (Center to center of wheels)	mm	3040	3040	3040	2790	2790	2790
L Crawler overall length	mm	3760	3760	3760	3500	3500	3500
L' Overall length with blade	mm	-	-	-	4160	4160	4160
M Crawler tracks height	mm	780	780	780	780	780	780
J Track gauge	mm	1990	1990	1990	1990	1990	1990
K Undercarriage overall width (with 600 mm shoes)	mm	2590	2590	2590	2590	2590	2590

### PERFORMANCE DATA

CX145D SR LC / CX145D SR BLADE		Arm 2.5 m	Arm 3.00 m	Arm 2.10 m HD
Boom length	mm	4630	4630	4630
A Maximum reach at GRP	mm	8140	8600	7780
B Max reach	mm	8290	8740	7940
C Max digging depth	mm	5510	6010	5110
D Max digging height	mm	9340	9690	9060
E Max dumping height	mm	6940	7290	6660
F Min swing radius	mm	1950	2330	1890

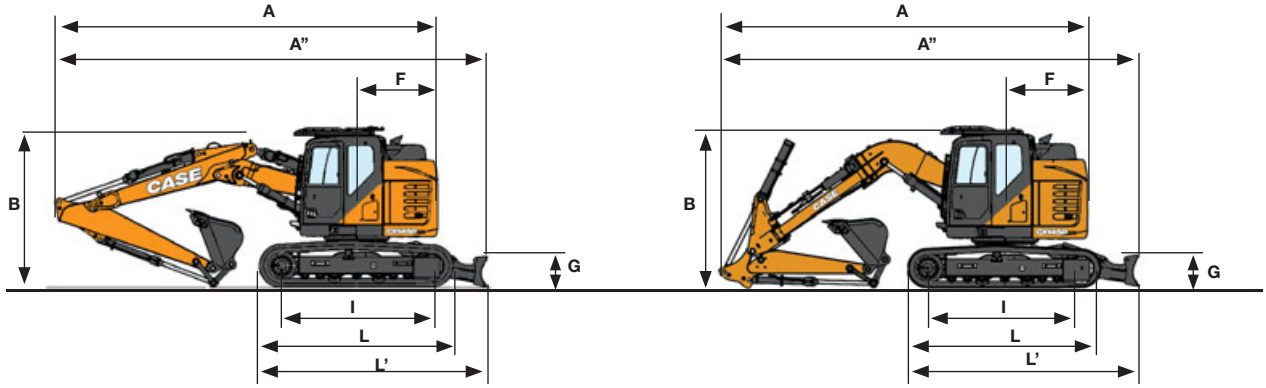
### DIGGING FORCE (ISO 6015)

CX145D SR LC / CX145D SR BLADE		Arm 2.5 m	Arm 3.00 m	Arm 2.10 m HD
Arm digging force	kN	62	56	70
With auto power boost	kN	66	60	74
Bucket digging force	kN	90	90	90
With auto power boost	kN	95	95	95



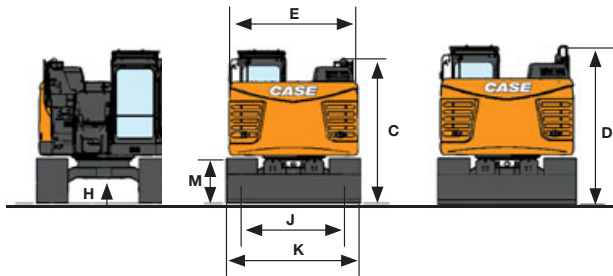
# CX D-SERIES

## CX145D SR 2-PB W/BLADE / OFFSET BOOM



### DIGGING FORCE (ISO 6015)

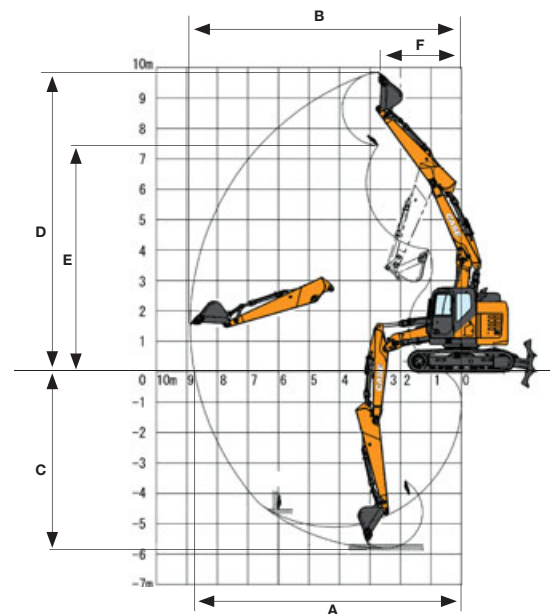
	CX145D SR 2 PB - 2PB (W/BLADE)		CX145D SR OFFSET
	Arm 2.5 m	Arm 3.00 m	Arm 2.10 m
Arm digging force	kN 62	56	59.5
With auto power boost	kN 66	60	-
Bucket digging force	kN 90	90	89.3
With auto power boost	kN 95	95	-



	mm	CX145D SR 2 PIECE BOOM		CX145D SR 2 PB (W/BLADE)		CX145D SR OFFSET
		Arm 2.5 m	Arm 3.00 m	Arm 2.5 m	Arm 3.00 m	Arm 2.10 m
A Overall length (without attachment)	mm	3760	3760	4160	4160	-
A' Overall length (with attachment)	mm	7460	7480	-	-	-
A'' Overall length (with blade)	mm	-	-	7990	8010	4160
B Overall height (to top of boom)	mm	2730	2750	2730	2750	2690
C Cab height	mm	2920	2920	2920	2920	2920
D Overall height (to top of tailpipe - folded guardrail)	mm	2780	2780	2780	2780	2780
E Upper structure overall width	mm	2490	2490	2490	2490	2490
F Swing (rear end) radius	mm	1490	1490	1490	1490	1490
G Clearance height under upper structure	mm	880	880	880	880	880
H Minimum ground clearance	mm	440	440	425	425	425
I Wheel base (Center to center of wheels)	mm	3040	3040	2790	2790	2790
L Crawler overall length	mm	3760	3760	-	-	-
L' Crawler overall length (with blade)	mm	-	-	3500	3500	3500
M Crawler tracks height	mm	780	780	780	780	780
J Track gauge	mm	1990	1990	1990	1990	1990
K Undercarriage overall width (with 600 mm shoes)	mm	2590	2590	2590	2590	2590

### PERFORMANCE DATA

	mm	CX145D SR 2 PB - 2PB (W/BLADE)		CX145D SR OFFSET
		Arm 2.5 m	Arm 3.00 m	Arm 2.10 m
Boom length	mm	-	-	4500
1 st Boom length	mm	2460	2460	-
2 nd Boom length	mm	2390	2390	-
A Maximum reach at GRP	mm	8280	8760	7430
B Max reach	mm	8430	8890	7590
C Max digging depth	mm	5310	5810	4910
D Max digging height	mm	9470	9840	8630
E Max dumping height	mm	7080	7450	6250
F Min swing radius	mm	2110	2510	1490



# CX D-SERIES

## CX245D SR

### SPECIFICATIONS

#### ENGINE

Model \_\_\_\_\_ ISUZU AR-4HK1X  
 Type \_\_\_\_\_ Water-cooled, 4,cycle diesel, 4-cylinder in line, High pressure common rail system (electric control), Turbocharger with air cooled intercooler, SRC system.

Number of cylinders / Displacement (l) \_\_\_\_\_ 4 / 5.2

Emissions level \_\_\_\_\_ Tier 4 final / Eu stage IV

Bore & stroke (mm) \_\_\_\_\_ 115 x 125

#### Rated flywheel horse power

SAE J1349, ISO 9249 (kW / hp) \_\_\_\_\_ 119.3 / 160 at 1800 min<sup>-1</sup>

ISO 14396 (kW / hp) \_\_\_\_\_ 124 / 166 at 1800 min<sup>-1</sup>

#### Maximum torque

SAE J 1349, ISO 9249 (Nm) \_\_\_\_\_ 620 at 1600 min<sup>-1</sup>

ISO 14396 (Nm) \_\_\_\_\_ 636 at 1600 min<sup>-1</sup>

#### HYDRAULIC SYSTEM

Main pumps \_\_\_\_\_ 2 variable displacement axial piston pumps with regulating system

Max. oil flow (l/min) \_\_\_\_\_ 2 x 211 at 1800 min<sup>-1</sup>

#### Working circuit pressure

Boom/Arm/Bucket (MPa) \_\_\_\_\_ 34.3 - 37.3 with auto power boost

Swing circuit (MPa) \_\_\_\_\_ 29.4

Travel circuit (MPa) \_\_\_\_\_ 34.3

**Pilot pump** \_\_\_\_\_ 1 gear pump

Max. oil flow (l/min) \_\_\_\_\_ 18

Working circuit pressure (MPa) \_\_\_\_\_ 3.9

#### Boom Cylinders

Bore (mm) \_\_\_\_\_ 120

Stroke (mm) \_\_\_\_\_ 1370

#### Arm Cylinder

Bore (mm) \_\_\_\_\_ 140

Stroke (mm) \_\_\_\_\_ 1460

#### Bucket Cylinder

Bore (mm) \_\_\_\_\_ 120

Stroke (mm) \_\_\_\_\_ 1010

#### SWING

Swing Motor \_\_\_\_\_ Fixed displacement axial piston motor

Maximum swing speed (min<sup>-1</sup>) \_\_\_\_\_ 11.5

Swing torque (kNm) \_\_\_\_\_ 64

#### UNDERCARRIAGE

High travel speed (km/h) \_\_\_\_\_ 5.0

Low travel speed (km/h) \_\_\_\_\_ 3.2

Drawbar pull (kN) \_\_\_\_\_ 201

Track shoes \_\_\_\_\_ 600 mm, 700 mm and 800 mm steel triple grouser shoes, 600 mm rubber link chain

#### CIRCUIT AND COMPONENT CAPACITIES

Fuel tank (l) \_\_\_\_\_ 320

Hydraulic system (l) \_\_\_\_\_ 252

Hydraulic reservoir (l) \_\_\_\_\_ 114

Adblue tank (l) \_\_\_\_\_ 45

#### SOUND LEVEL

External guaranteed sound level

(EU Directive 2000/14/EC) \_\_\_\_\_ LwA 101 dB(A)

Operator cab sound pressure level (ISO 6396) \_\_\_\_\_ LpA 71.4 dB(A)

#### OPERATING WEIGHT

##### CX245DSR LC MONO

	Without blade	With blade
Max operating weight (kg) _____	24400	26000
Counterweight (kg) _____	6530	

##### CX245DSR 2 PIECE BOOM

	Without blade	With blade
Max operating weight (kg) _____	26100	27700
Counterweight (kg) _____	7430	

#### BLADE DIMENSIONS AND RANGE

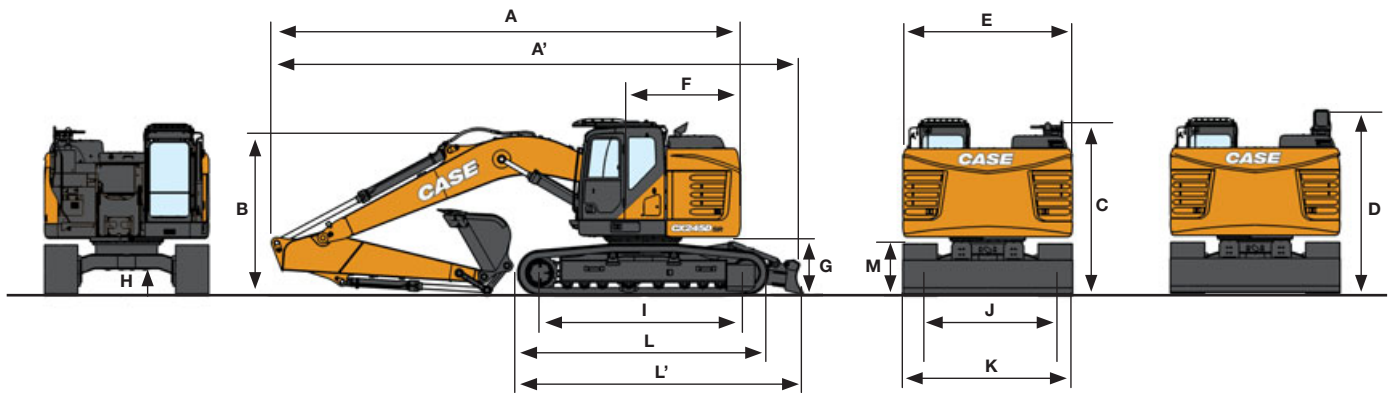
Blade dimensions (width x height) (mm) \_\_\_\_\_ 3000/3200 x 610

Blade range up / down (mm) \_\_\_\_\_ 490 / 390

# CX D-SERIES

## CX245D SR

### GENERAL DIMENSIONS



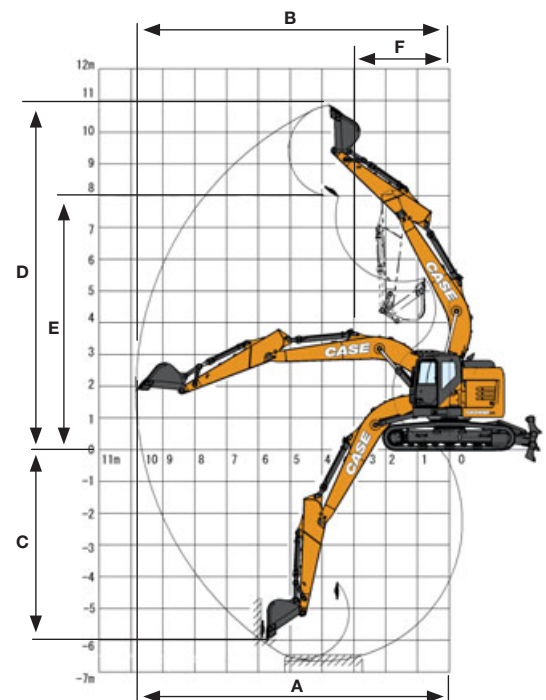
		CX245D SR LC			CX245D SR BLADE		
		Arm 2.4 m HD	Arm 1.90 m HD	Arm 2.95 m	Arm 2.4 m HD	Arm 1.90 m HD	Arm 2.95 m
A Overall length (with attachment)	mm	8920	8940	8830	8920	8940	8830
A' Overall length (with attachment & blade)	mm	-	-	-	9530	9550	9440
B Overall height (to top of boom)	mm	3180	3100	2980	3180	3100	2980
C Cab height	mm	3140	3140	3140	3140	3140	3140
D Overall height (to top of guardrail)	mm	3290/3090 (folded handrail)	3290/3090 (folded handrail)	3290/3090 (folded handrail)	3290/3090 (folded handrail)	3290/3090 (folded handrail)	3290/3090 (folded handrail)
E Upper structure overall width	mm	2990	2990	2990	2990	2990	2990
F Swing (rear end) radius STD count./extra count.	mm	1720	1720	1720	1720	1720	1720
G Clearance height under upper structure	mm	1020	1020	1020	1020	1020	1020
H Minimum ground clearance	mm	440	440	440	440	440	440
I Wheel base (Center to center of wheels)	mm	3660	3660	3660	3660	3660	3660
L Crawler overall length	mm	4470	4470	4470	4470	4470	4470
L' Crawler overall length (with blade)	mm	-	-	-	5560	5560	5560
M Crawler tracks height	mm	920	920	920	920	920	920
J Track gauge	mm	2390	2390	2390	2390	2390	2390
K Undercarriage overall width (with 600 mm shoes)	mm	2990	2990	2990	2990	2990	2990

### PERFORMANCE DATA

CX245D SR LC / CX245D SR BLADE		Arm 2.4 m HD	Arm 1.90 m HD	Arm 2.95 m
Boom length	mm	5700	5700	5700
A Maximum reach at GRP	mm	9180	8710	9670
B Max reach	mm	9370	8910	9850
C Max digging depth	mm	6120	5620	6650
D Max digging height	mm	10520	10170	10860
E Max dumping height	mm	7630	7280	7970
F Min swing radius	mm	2550	2530	2310

### DIGGING FORCE (ISO 6015)

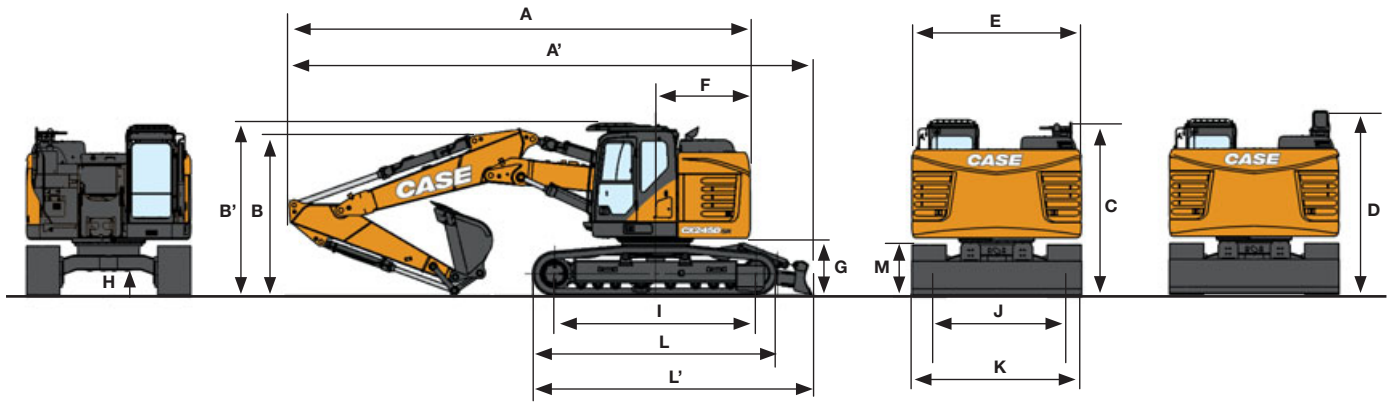
CX245D SR LC / CX245D SR BLADE		Arm 2.4 m HD	Arm 1.90 m HD	Arm 2.95 m
Arm digging force	kN	123	142	103
With auto power boost	kN	133	154	112
Bucket digging force	kN	142	142	142
With auto power boost	kN	154	154	154



# CX D-SERIES

## CX245D SR 2 PIECE BOOM

### GENERAL DIMENSIONS



CX245D SR 2 PIECE BOOM (WITHOUT BLADE)

CX245D SR 2 PIECE BOOM (WITH BLADE)

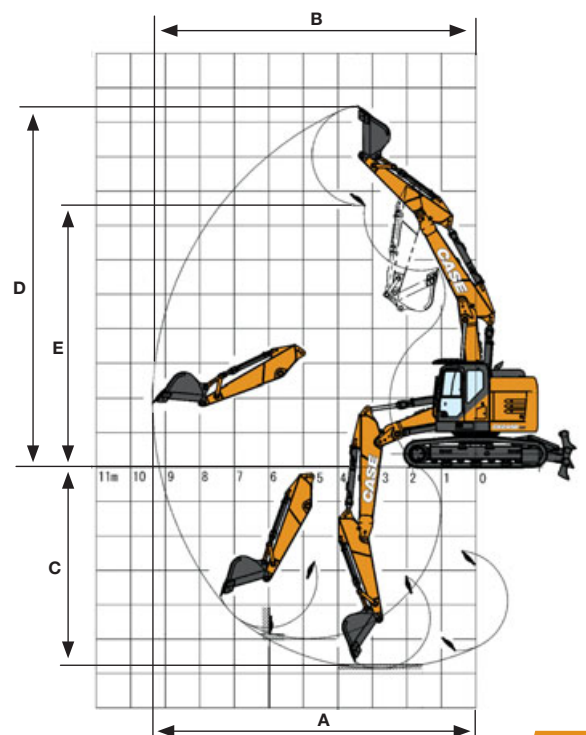
	mm	CX245D SR 2 PIECE BOOM (WITHOUT BLADE)		CX245D SR 2 PIECE BOOM (WITH BLADE)	
		Arm 2.4 m	Arm 2.95 m	Arm 2.4 m	Arm 2.95 m
A Overall length (without attachment)	mm	4470	4470	5060	5060
A' Overall length (with attachment)	mm	8890	8830	9500	9440
B Overall height (to top of boom)	mm	3050	2890	3050	2890
B' Overall height (to top of cab)	mm	3140	3140	3140	3140
C Cab height	mm	3140	3140	3140	3140
D Overall height (to top of guardrail)	mm	3090 (fold guardrail)	3090 (fold guardrail)	3090 (fold guardrail)	3090 (fold guardrail)
E Upper structure overall width	mm	2990	2990	2990	2990
F Swing (rear end) radius	mm	1720	1720	1720	1720
G Clearance height under upper structure	mm	1020	1020	1020	1020
H Minimum ground clearance	mm	440	440	440	440
I Wheel base (Center to center of wheels)	mm	3660	3660	3660	3660
L Crawler overall length	mm	4470	4470	4470	4470
L' Crawler overall length (with blade)	mm	-	-	5560	5560
M Crawler tracks height	mm	920	920	920	920
J Track gauge	mm	2390	2390	2390	2390
K Undercarriage overall width (with 600 mm shoes)	mm	2990	2990	2990	2990

### PERFORMANCE DATA

CX245D SR 2 PIECE BOOM / 2 PIECE BOOM W/BLADE		Arm 2.4 m	Arm 2.95 m
1st Boom length	mm	2960	2960
2nd Boom length	mm	2790	2790
Bucket radius	mm	1450	1450
Bucket wrist action	°	177	177
A Maximum reach at GRP	mm	9180	9680
B Max reach	mm	9370	9860
C Max digging depth	mm	5850	6370
D Max digging height	mm	10470	10810
E Max dumping height	mm	7580	7920

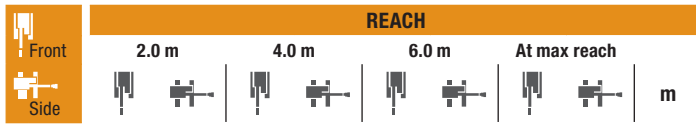
### DIGGING FORCE (ISO 6015)

CX245D SR 2 PIECE BOOM / 2 PIECE BOOM W/BLADE		Arm 2.4 m	Arm 2.95 m
Arm digging force	kN	123	103
With auto power up	kN	133	112
Bucket digging force	kN	142	142
With auto power up	kN	154	154



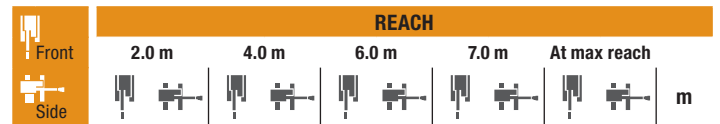
# LIFTING CAPACITY

## CX145D SR



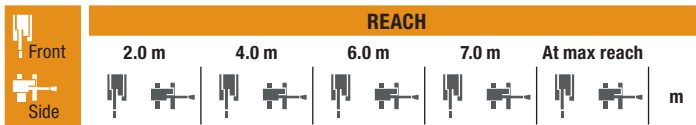
**BLADE DOWN Short arm 2.10 m, 600 mm shoes, max reach 6.74 m**

6.0 m			4690*	4680			2520*	2520*	5.0
4.0 m	7930*	7930*	6000*	4480	3700*	2350	2270*	2180	6.26
2.0 m	7490*	4050	5080*	2250			2320*	1890	6.72
0 m			7830*	3780	5030*	2150	2660*	1910	6.55
-2.0 m	8270*	8270*	6410*	3760			3630*	2320	5.7



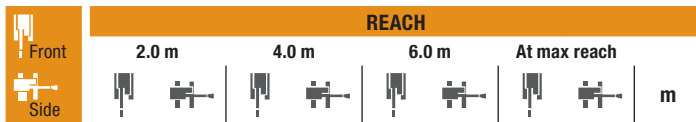
**BLADE DOWN Std arm 2.50 m, 600 mm shoes, max reach 7.09 m**

8.0 m									3090*	3090*	2.7				
6.0 m							4010*	3300		2040*	2040*	5.47			
4.0 m							5030*	4580	3790*	2410		1860*	1860*	6.64	
2.0 m							7240*	4150	4990*	2290	2370*	1810	1910*	1780	7.7
0 m	7930*	3840	5120*	2180									2190*	1790	6.91
-2.0 m	7470*	7470*	6880*	3770	4130*	2160							2910*	2110	6.11
-4.0 m			3260*	3260*									2700*	2700*	4.32



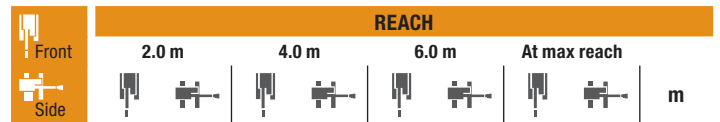
**BLADE DOWN Long arm 3.00 m, 600 mm shoes, max reach 7.54 m**

8.0 m									2520*	2520*	3.76
6.0 m			3400*	3400*	2040*	2040*			1880*	1880*	6.5
4.0 m			3830*	3830*	3580*	2420	2180*	1860	1750*	1750*	7.12
2.0 m			6740*	4200	4760*	2280	3430*	1790	1800*	1580	7.53
0 m			7820*	3800	5070*	2130	3760*	1710	2030*	1580	7.38
-2.0 m	6620*	6620*	7220*	3680	4560*	2080			2620*	1820	6.64
-4.0 m	7160*	7160*	4540*	3780					3060*	2740	5.4



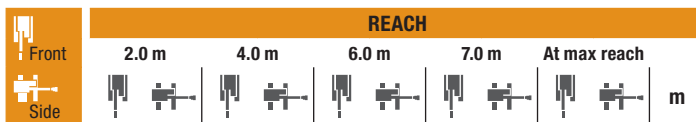
**LC Short arm HD 2.10 m, 600 mm shoes, max reach 6.74 m**

6.0 m			4690*	4490			2520*	2520*	5.0
4.0 m	7930*	7930*	6000*	4300	3540	2270	2270*	2100	6.26
2.0 m			6480	3880	3430	2160	2320*	1820	6.72
0 m			6160	3610	3320	2070	2660*	1840	6.55
-2.0 m	8270*	8270*	6140	3590			3590	2230	5.7



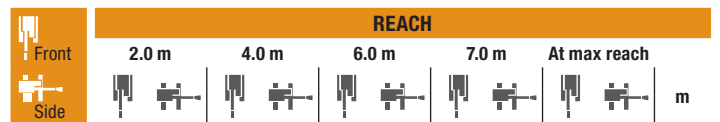
**LC - HEAVY COUNTERWEIGHT 3550 KG**  
Short arm HD 2.10 m, 600 mm shoes, max reach 6.74 m

6.0 m			4690*	4630			2520*	2520*	5.0
4.0 m	7930*	7930*	6000*	4430	3650	2350	2270*	2180	6.26
6.26			6670	4010	3530	2250	2320*	1890	6.72
0 m			6360	3750	3430	2150	2660*	1910	6.55
-2.0 m	8270*	8270*	6330	3730			3630*	2310	5.7



**LC Standard arm 2.50 m, 600 mm shoes, max reach 7.09 m**

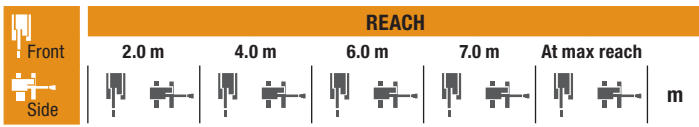
8.0 m									3090*	3090*	2.7
6.0 m			4010*	4010*					2040*	2040*	5.47
4.0 m			5030*	4390	3600	2320			1860*	1860*	6.64
2.0 m			6590	3970	3470	2210	2370*	1740	1910*	1710	7.7
0 m			6230	3670	3350	2090			2190*	1720	6.91
-2.0 m	7470*	7470*	6150	3600	3330	2080			2910*	2030	6.11
-4.0 m			3260*	3260*					2700*	2700*	4.32



**LC - HEAVY COUNTERWEIGHT 3550 KG**  
Standard arm 2.50 m, 600 mm shoes, max reach 7.09 m

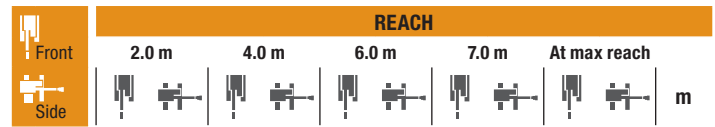
8.0 m									3090*	3090*	2.7
6.0 m			4010*	4010*					2040*	2040*	5.47
4.0 m			5030*	4530	3710	2400			1860*	1860*	6.64
2.0 m			6780*	4110	3580	2290	2370*	1810	1910*	1780	7.7
0 m			6420	3800	3450	2170			2190*	1790	6.91
-2.0 m	7470*	7470*	6340	3740	3430	2160			2910*	2110	6.11
-4.0 m			3260*	3260*					2700*	2700*	4.32

\* The above loads (kg) are compliant to the ISO standards and refer to the excavator equipped without bucket. The indicated loads are no more than 87% of hydraulic system lift capacity or 75% of static tipping load. Values marked with an asterisk (\*) are limited by the hydraulic lifting capacity.



**LC Long arm 3.00 m, 600 mm shoes, max reach 7.54 m**

	REACH										
	2.0 m		4.0 m		6.0 m		7.0 m		At max reach		
8.0 m									2520*	2520*	3.76
6.0 m			3400*	3400*	2040*	2040*			1880*	1880*	6.5
4.0 m			3830*	3830*	3580*	2330	2180*	1790	1750*	1730	7.12
2.0 m			6650	4020	3460	2190	2720	1720	1800*	1530	7.53
0 m			6200	3630	3310	2050	2640	1640	2030*	1520	7.38
-2.0 m	6620*	6620*	6050	3510	3250	1990			2620*	1750	6.64
-4.0 m	7160*	7160*	4540*	3610					3060*	2630	5.4



**LC - HEAVY COUNTERWEIGHT 3550 KG  
Long arm 3.00 m, 600 mm shoes, max reach 7.54 m**

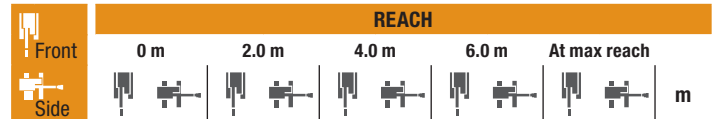
	REACH										
	2.0 m		4.0 m		6.0 m		7.0 m		At max reach		
8.0 m									2520*	2520*	3.76
6.0 m			3400*	3400*	2040*	2040*			1880*	1880*	6.5
4.0 m			3830*	3830*	3580*	2410	2180*	1860	1750*	1750*	7.12
2.0 m			6740*	4150	3570	2270	2810	1790	1800*	1590	7.53
0 m			6390	3770	3410	2130	2720	1710	2030*	1590	7.38
-2.0 m	6620*	6620*	6240	3640	3350	2080			2620*	1820	6.64
-4.0 m	7160*	7160*	4540*	3740					3060*	2730	5.4

# CX145D SR 2-PB W/BLADE / OFFSET BOOM



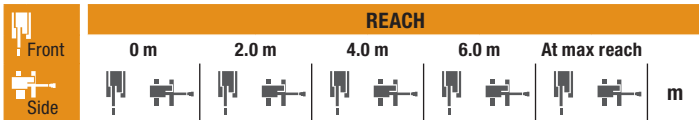
**LC Std arm 2.50 m, 600 mm shoes, max reach 7.23 m**

	REACH										
	0 m		2.0 m		4.0 m		6.0 m		At max reach		
8.0 m									3210*	3210*	3.06
6.0 m					4050*	4050*			2180*	2180*	5.65
4.0 m					5060*	4770	3730	2430	1990*	1900	6.79
2.0 m			13060*	13060*	6990	4590	3660	2350*	2030*	1650	7.21
0 m	6950*	6950*	11950*	11950*	6810	4110	3490	2180	2280*	1650	7.06
-2.0 m	8690*	8690*	15490*	12320	6490	3810	3360	2060	2830*	1940	6.28
-4.0 m			7690*	7690*							



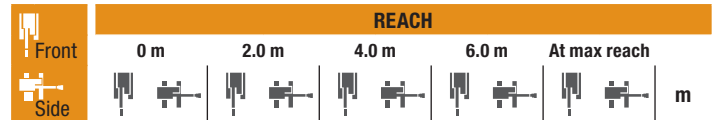
**LC Long arm 3.00 m, 600 mm shoes, max reach 7.69 m**

	REACH												
	0 m		2.0 m		4.0 m		6.0 m		At max reach				
8.0 m									2680*	2680*	4.06		
6.0 m							2570*	2430	1980*	1980*	6.24		
4.0 m							3920*	3920*	3660*	2500	7.28		
2 m					13040*	13040*	6850*	4610	3700	2410	1880*	1470	7.68
0 m	5090*	5090*	13270*	13270*	6840*	4160	3510	2200	2090*	1460	7.53		
-2.0 m	7560*	7560*	14440*	12260	6470	3780	3330	2020	2630*	1670	6.81		
-4.0 m			11420*	11420*	4660*	3630							



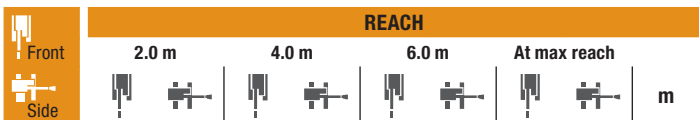
**BLADE DOWN Std arm 2.50 m, 600 mm shoes, max reach 7.23 m**

	REACH										
	0 m		2.0 m		4.0 m		6.0 m		At max reach		
8.0 m									3210*	3210*	3.06
6.0 m					4050*	4050*			2180*	2180*	5.65
4.0 m					5060*	5060*	4000*	2710	1990*	1990*	6.79
2.0 m			13060*	13060*	7600*	5040	4720*	2630	2030*	1870	7.21
0 m	6950*	6950*	11950*	11950*	7860*	4610	5090*	2460	2280*	1870	7.06
-2.0 m	8690*	8690*	15490*	14550	7800*	4310	3620*	2330	2830*	2200	6.28
-4.0 m			7690*	7690*							



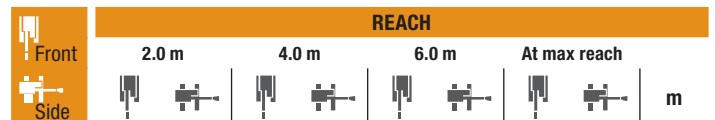
**BLADE DOWN Long arm 3.00 m, 600 mm shoes, max reach 7.69 m**

	REACH												
	0 m		2.0 m		4.0 m		6.0 m		At max reach				
8.0 m									2680*	2680*	4.06		
6.0 m							2570*	2570*	1980*	1980*	6.24		
4.0 m							3920*	3920*	3660*	2760	1840*	1840*	7.28
2 m					13040*	13040*	6850*	5060	4420*	2680	1880*	1670	7.68
0 m	5090*	5090*	13270*	13270*	7760*	4670	5020*	2480	2090*	1660	7.53		
-2.0 m	7560*	7560*	14440*	14440*	7860*	4280	4460*	2300	2630*	1900	6.81		
-4.0 m			11420*	11420*	4660*	4130							



**BLADE UP - OFFSET arm 2.10 m, 600 mm shoes, max reach 6.39 m**

	REACH										
	2.0 m		4.0 m		6.0 m		At max reach				
6.0 m			3590*	3590*			2690*	2690*			4.53
4.0 m	5510*	5510*	4520*	4250			2550*	2170			5.89
2.0 m			5170	3610	2720	1950	2460	1760			6.38
0 m			4670	3170	2550	1800	2430	1720			6.20
-2.0 m	7140*	7140*	4600	3100			3030	2120			5.29



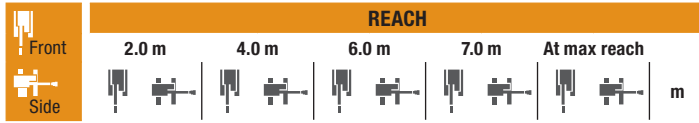
**BLADE DOWN - OFFSET arm 2.10 m, 600 mm shoes, max reach 6.39 m**

	REACH										
	2.0 m		4.0 m		6.0 m		At max reach				
6.0 m			3590*	3590*			2690*	2690*			4.53
4.0 m	5510*	5510*	4520*	4520*			2550*	2340			5.89
2.0 m			6350*	3920	4400*	2120	2780*	1910			6.38
0 m			6940*	3470	4470*	1960	3480*	1870			6.20
-2.0 m	7140*	7140*	6020*	3400			4310*	2310			5.29

\* The above loads (kg) are compliant to the ISO standards and refer to the excavator equipped without bucket. The indicated loads are no more than 87% of hydraulic system lift capacity or 75% of static tipping load. Values marked with an asterisk (\*) are limited by the hydraulic lifting capacity.

# LIFTING CAPACITY

## CX245D SR



**LC Short arm HD 2.40 m, 600 mm shoes, max reach 7.92 m**

Height (m)	2.0 m		4.0 m		6.0 m		7.0 m		At max reach		
	kg	kg	kg	kg	kg	kg	kg	kg	kg	kg	
8.0 m			6100*	6100*					6300*	6300*	4.98
6.0 m			6420*	6420*	5870*	5150			5500*	4220	6.74
4.0 m			8850*	8850*	6530*	4920	6040*	3880	5310	3380	7.62
2.0 m			11740*	8130	7440	4600	5890	3700	4900	3090	7.92
0 m			12430*	7800	7210	4390	5750	3570	5030	3140	7.7
-2.0 m	10330*	10330*	11470*	7840	7180	4370			5880	3650	6.91
-4.0 m			8630*	8150					6230*	5450	5.3



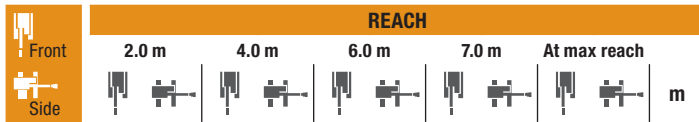
**LC S-Short arm HD 1.90 m, 600 mm shoes, max reach 7.46 m**

Height (m)	2.0 m		4.0 m		6.0 m		7.0 m		At max reach		
	kg	kg	kg	kg	kg	kg	kg	kg	kg	kg	
8.0 m			7160*	7160*					7200*	7200*	4.2
6.0 m			7220*	7220*	6460*	5090			6480*	4810	6.2
4.0 m			9740*	8920	6960*	4900	6080	3870	5880	3750	7.15
2.0 m					7450	4610	5920	3730	5390	3400	7.46
0 m			12320*	7890	7260	4450	5820	3630	5570	3490	7.22
-2.0 m			10980*	7990	7300	4480			6710	4160	6.37
-4.0 m			7360*	7360*					6210*	6210*	4.58



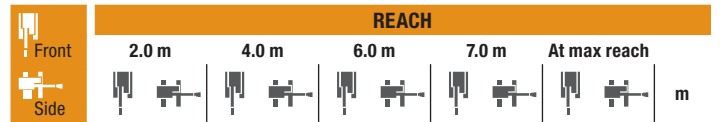
**LC Standard arm 2.95 m, 600 mm shoes, max reach 8.40 m**

Height (m)	2.0 m		4.0 m		6.0 m		8.0 m		At max reach		
	kg	kg	kg	kg	kg	kg	kg	kg	kg	kg	
8.0 m									4150*	4150*	5.72
6.0 m					5340*	5260			3700*	3700*	7.31
4.0 m			7930*	7930*	6110*	5010	4440*	3170	3650*	3090	8.12
2.0 m			11050*	8340	7230*	4660	4850	3060	3860*	2840	8.4
0 m			12410*	7840	7230	4410	4750	2970	4400*	2870	8.19
-2.0 m	9590*	9590*	11930*	7790	7140	4330			5240	3260	7.46
-4.0 m	15480*	15480*	9720*	8010					6130*	4500	6



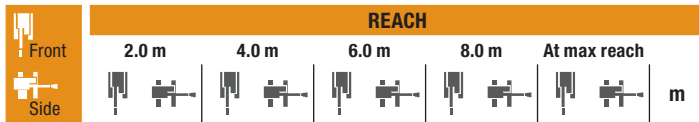
**BLADE DOWN Short arm HD 2.40 m, 600 mm shoes, max reach 7.92 m**

Height (m)	2.0 m		4.0 m		6.0 m		7.0 m		At max reach		
	kg	kg	kg	kg	kg	kg	kg	kg	kg	kg	
8.0 m			6100*	6100*					6300*	6300*	4.98
6.0 m			6420*	6420*	5870*	5720			5500*	4700	6.74
4.0 m			8850*	8850*	6530*	5480	6040*	4340	5400*	3780	7.62
2.0 m			11740*	9170	7540*	5160	6600*	4150	5730*	3470	7.92
0 m			12430*	8840	8130*	4950	6930*	4020	6240*	3550	7.7
-2.0 m	10330*	10330*	11470*	8880	7750*	4930			6420*	4110	6.91
-4.0 m			8630*	8630*					6230*	6120	5.3



**BLADE DOWN S-Short arm HD 1.90 m, 600 mm shoes, max reach 7.46 m**

Height (m)	2.0 m		4.0 m		6.0 m		7.0 m		At max reach		
	kg	kg	kg	kg	kg	kg	kg	kg	kg	kg	
8.0 m			7160*	7160*					7200*	7200*	4.2
6.0 m			7220*	7220*	6460*	5660			6480*	5350	6.2
4.0 m			9740*	9740*	960*	5460	6450*	4330	6420*	4190	7.15
2.0 m					7850*	170	6860*	4180	6540*	3820	7.46
0 m			12320*	8930	8230*	5010	6990*	4090	6720*	3930	7.22
-2.0 m			10980*	9030	7480*	5040			6840*	4680	6.37
-4.0 m			7360*	7360*					6210*	6210*	4.58



**BLADE DOWN Standard arm 2.95 m, 600 mm shoes, max reach 8.40 m**

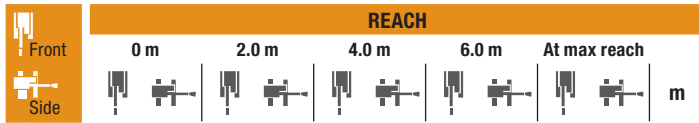
Height (m)	2.0 m		4.0 m		6.0 m		8.0 m		At max reach		
	kg	kg	kg	kg	kg	kg	kg	kg	kg	kg	
8.0 m									4150*	4150*	5.72
6.0 m					5340*	5340*			3700*	3700*	7.31
4.0 m			7930*	7930*	6110*	5570	4440*	3560	3650*	3460	8.12
2.0 m			11050*	9380	7230*	5220	5780*	3440	3860*	3200	8.4
0 m			12410*	8880	8020*	4970	5990*	3350	4400*	3250	8.19
-2.0 m	9590*	9590*	11930*	8820	7960*	4890			5580*	3680	7.46
-4.0 m	15480*	15480*	9720*	9050					6130*	5060	6.0

\* The above loads (kg) are compliant to the ISO standards and refer to the excavator equipped without bucket. The indicated loads are no more than 87% of hydraulic system lift capacity or 75% of static tipping load. Values marked with an asterisk (\*) are limited by the hydraulic lifting capacity.



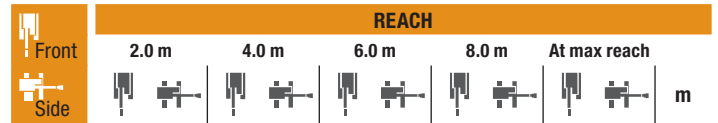
# LIFTING CAPACITY

## CX245D SR 2 PIECE BOOM



Short arm 2.40 m, 600 mm shoes, max reach 7.92 m

REACH	0 m		2.0 m		4.0 m		6.0 m		At max reach		m
	Front	Side	Front	Side	Front	Side	Front	Side	Front	Side	
8.0 m					7040*	7040*			6310*	6310*	4.97
6.0 m							5730*	5730*	4900*	4600	6.74
4.0 m					9560*	9560*	6140*	5630	4480*	3680	7.62
2.0 m			11580*	11580*	11960*	9700	7160*	5420	4470*	3360	7.92
0 m			15830*	15830*	12090*	9310	7900*	5090	4830*	3420	7.69
-2.0 m	17400*	17400*	24950*	24950*	12350*	8950	7560*	4830	5240*	3980	6.9
-4.0 m			18610*	18610*	8600*	8600*					



Standard arm 2.95 m, 600 mm shoes, max reach 8.40 m

REACH	2.0 m		4.0 m		6.0 m		8.0 m		At max reach		m
	Front	Side	Front	Side	Front	Side	Front	Side	Front	Side	
8.0 m									4210*	4210*	5.72
6.0 m							5350*	5350*	3720*	3720*	7.31
4.0 m	16210*	16210*	8550*	8550*	5780*	5660*	4180*	3480	3650*	3370	8.13
2 m	17170*	17170*	11590*	9690	6760*	5470	4800*	3380	3840*	3100	8.4
0 m	15740*	15740*	12050*	9490	7870*	5220	4910*	3250	4300*	3130	8.19
-2.0 m	21070*	21070*	12220*	8970	7910	4870			5070*	3550	7.46
-4.0 m	22160*	22160*	10510*	8830					4980*	4980*	5.51

## BUCKETS

### CX145D SR BLADE / LC

#### GENERAL PURPOSE BUCKET (DIRECT MOUNT)

CAPACITY m <sup>3</sup> (ISO7451 HEAPED)	WIDTH mm	WEIGHT kg	ARM 2.10 m	ARM 2.50 m	ARM 3.01 m
0.21	450	250	○	○	○
0.31	600	290	○	○	○
0.41	750	330	○	○	○
0.52	900	360	○	○	●
0.58	1000	400	○	●	■
0.66	1100	430	●	■	■
0.73	1200	450	■	■	×

#### GENERAL PURPOSE SCOOP BUCKET (WITH CASE MULTI-FIT S COUPLER)

CAPACITY m <sup>3</sup> (ISO7451 HEAPED)	WIDTH mm	WEIGHT kg	ARM 2.10 m	ARM 2.50 m	ARM 3.01 m
0.21	450	250	○	○	○
0.31	600	280	○	○	○
0.41	750	310	○	○	●
0.52	900	360	○	●	■
0.58	1000	390	●	■	■
0.66	1100	420	■	■	×
0.73	1200	450	■	×	×

#### TILTABLE DITCH CLEANING BUCKET (DIRECT MOUNT)

CAPACITY m <sup>3</sup> (ISO7451 HEAPED)	WIDTH mm	WEIGHT kg	ARM 2.10 m	ARM 2.50 m	ARM 3.01 m
0.46	1500	640	●	■	■
0.55	1800	690	■	■	×
0.61	2000	730	■	×	×

Tilt angle 45° L/R

Connect to Low-Flow Auxiliary Hydraulic Circuit

○ Rated material density up to 2 ton/m<sup>3</sup> ● Rated material density up to 1.6 ton/m<sup>3</sup> ■ Rated material density up to 1.2 ton/m<sup>3</sup> × Not applicable

# BUCKETS

## CX245D SR BLADE

### GENERAL PURPOSE BUCKET (DIRECT MOUNT)

CAPACITY m <sup>3</sup> (ISO7451 HEAPED)	WIDTH mm	WEIGHT kg	ARM 1.90 m	ARM 2.40 m	ARM 2.95 m
0.44	600	540	○	○	○
0.59	750	610	○	○	○
0.75	900	660	○	○	○
0.85	1000	700	○	○	○
0.96	1100	750	○	○	●
1.01	1200	790	○	●	●
1.23	1350	870	●	■	■
1.39	1500	930	■	■	×

### GENERAL PURPOSE SCOOP BUCKET (WITH CASE MULTI-FIT S COUPLER)

CAPACITY m <sup>3</sup> (ISO7451 HEAPED)	WIDTH mm	WEIGHT kg	ARM 1.90 m	ARM 2.40 m	ARM 2.95 m
0.44	600	520	○	○	○
0.59	750	580	○	○	○
0.75	900	650	○	○	○
0.85	1000	680	○	○	●
0.96	1100	730	○	●	■
1.01	1200	770	●	●	■
1.23	1350	850	■	■	×
1.39	1500	910	■	×	×

## CX245D SR LC

### GENERAL PURPOSE BUCKET (DIRECT MOUNT)

CAPACITY m <sup>3</sup> (ISO7451 HEAPED)	WIDTH mm	WEIGHT kg	ARM 1.90 m	ARM 2.40 m	ARM 2.95 m
0.44	600	540	○	○	○
0.59	750	610	○	○	○
0.75	900	660	○	○	○
0.85	1000	700	○	○	○
0.96	1100	750	○	○	○
1.01	1200	790	○	○	●
1.23	1350	870	●	●	■
1.39	1500	930	●	■	■

### GENERAL PURPOSE SCOOP BUCKET (WITH CASE MULTI-FIT S COUPLER)

CAPACITY m <sup>3</sup> (ISO7451 HEAPED)	WIDTH mm	WEIGHT kg	ARM 1.90 m	ARM 2.40 m	ARM 2.95 m
0.44	600	520	○	○	○
0.59	750	580	○	○	○
0.75	900	650	○	○	○
0.85	1000	680	○	○	●
0.96	1100	730	○	●	●
1.01	1200	770	○	●	■
1.23	1350	850	■	■	■
1.39	1500	910	■	×	×

### TILTABLE DITCH CLEANING BUCKET (DIRECT MOUNT)

CAPACITY m <sup>3</sup> (ISO7451 HEAPED)	WIDTH mm	WEIGHT kg	ARM 1.90 m	ARM 2.40 m	ARM 2.95 m
0.56	1500	710	○	○	○
0.68	1800	770	○	○	○
0.75	2000	810	○	○	○
0.83	2200	880	○	○	●
0.91	2400	920	○	●	●
0.95	2500	950	○	●	●

Tilt angle 45° L/R

Connect to Low-Flow Auxiliary Hydraulic Circuit

○ Rated material density up to 2 ton/m<sup>3</sup> ● Rated material density up to 1.6 ton/m<sup>3</sup> ■ Rated material density up to 1.2 ton/m<sup>3</sup> × Not applicable



www.casece.com

**EXPERTS FOR THE REAL WORLD**  
**SINCE 1842**

**CASE**  
CONSTRUCTION



Form No. 20183GB - MediaCross Firenze - 03/18

**CNH INDUSTRIAL  
DEUTSCHLAND GMBH**  
Case Baumaschinen  
Benzstr. 1-3 - D-74076 Heilbronn  
DEUTSCHLAND

**CNH INDUSTRIAL FRANCE, S.A.**  
16-18 Rue des Rochettes  
91150 Morigny-Champigny  
FRANCE

**CNH INDUSTRIAL - UK**  
First Floor, Barclay Court 2,  
Heavens Walk,  
Doncaster - DN4 5HZ  
UNITED KINGDOM

**CNH INDUSTRIAL - SOUTH AFRICA**  
Waterfall Business Park  
Bekker Street, Howick Close  
1685 Midrand - Johannesburg  
REPUBLIC OF SOUTH AFRICA

**CNH INDUSTRIAL  
MAQUINARIA SPAIN, S.A.**  
Avda. José Gárate, 11  
28823 Coslada (Madrid)  
ESPAÑA

**CNH INDUSTRIAL ITALIA SPA**  
Strada di Settimo, 323  
10099 San Mauro Torinese (TO)  
ITALIA

**CASE CUSTOMER CENTRE**  
PARIS  
RN 330 - Penchard  
77122 - Monthyon  
FRANCE

**CNH INDUSTRIAL - MIDDLE EAST**  
DAFZA - Dubai Airport Free Zone  
West Wing 4 B, Office 642  
P.O. Box 54588, Dubai,  
UNITED ARAB EMIRATES

**NOTE:** Standard and optional fittings can vary according to the demands and specific regulations of each country. The illustrations may include optional rather than standard fittings - consult your Case dealer. Furthermore, CNH Industrial reserves the right to modify machine specifications without incurring any obligation relating to such changes.

Conforms to directive 2006/42/EC

**CASE**  
**00800-2273-7373**

The call is free from a land line.  
Check in advance with your Mobile Operator if you will be charged. Toll free number not available from all calling areas.

