

**G-SERIES WHEEL LOADERS**  
**521G | 621G | 721G | 821G | 921G**

**CASE**

CONSTRUCTION



**MOVING**  
**MOUNTAINS**

[www.casece.com](http://www.casece.com)

**EXPERTS FOR THE REAL WORLD**  
**SINCE 1842**

# G-SERIES WHEEL LOADERS



## **EXPERTS FOR THE REAL WORLD SINCE 1842**

- 1842** **CASE is founded.**
- 1869** **The first CASE portable steam engine - road construction is born!**
- 1958** **The first CASE 4-WD wheel loader, the W9, is introduced.**
- 1969** **CASE begins skid steer loader production.**
- 1998** **Ride control on loader backhoes and skid steer loaders: another CASE first. From 1998 CASE Wheel Loaders run FPT engines, leaders in industrial engine technology.**
- 2001** **The exclusive mid-mounted Cooling Cube in CASE wheel loaders means clean engine, reliability and massive bucket payloads.**

# HERITAGE

## A TRADITION OF INDUSTRY FIRSTS



- 2011** CASE is the first in the industry to launch a 5-speed lock up transmission
- 2012** CASE completes its Tier 4i (EU Stage IIIB) wheel loader range: a further step forward in emissions reduction and once again the first in the industry.\*
- 2015** CASE wheel loaders achieve Tier 4 Final (EU Stage IV) emissions standards \* while further increasing fuel efficiency without a DPF.
- 2017** New G series wheel loaders are launched.

\* Only in regulated countries

# G-SERIES WHEEL LOADERS



## HIGH EFFICIENCY

with no EGR or particulate filter

The engine was developed and manufactured by our award winning sister company FPT Industrial, which produces over 500,000 engines per year and powers world record winners.

The in-house design leverages advanced technologies developed for commercial vehicles and agriculture, and introduces specific tailored solutions for off-road applications.

The NEF N67, with 6 in-line cylinders and a 6.7 litre displacement, is designed to offer both fuel efficiency and reliability with plenty of power available.

- The air intake flow is increased by a turbocharger with air-to-air cooling.
- The multiple injection delivers best-in-class high torque performance at low rpms.
- No EGR valve is used: 100% fresh air is taken for combustion without DPF and no extra cooling system is needed.

Our engine technology is so reliable that it is trusted by the French Sea Rescue service for their boats: what better guarantee could you wish for?



\* 521G is fitted with N45 engine

# ENGINE KEEP IT SIMPLE



## LOW EMISSIONS

without particulate filter

With HI-eSCR after-treatment, FPT technology meets EU Stage IV (Tier 4 final) emissions standards, a big step towards cleaner air. With this system, fewer components are involved, engine oil quality is not compromised and there is no need for a particulate filter (DPF) or

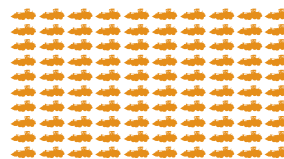
additional cooling. This allows for a very compact engine compartment, resulting in excellent rear visibility. In addition, the maximum temperature reached by HI-eSCR is 500°C, 200°C below the maximum temperature of a particulate filter.



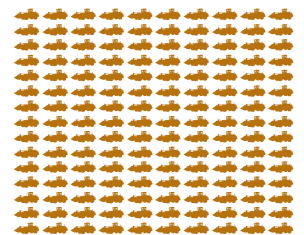
**HI-eSCR**



1996: EU Stage I  
US Tier 1



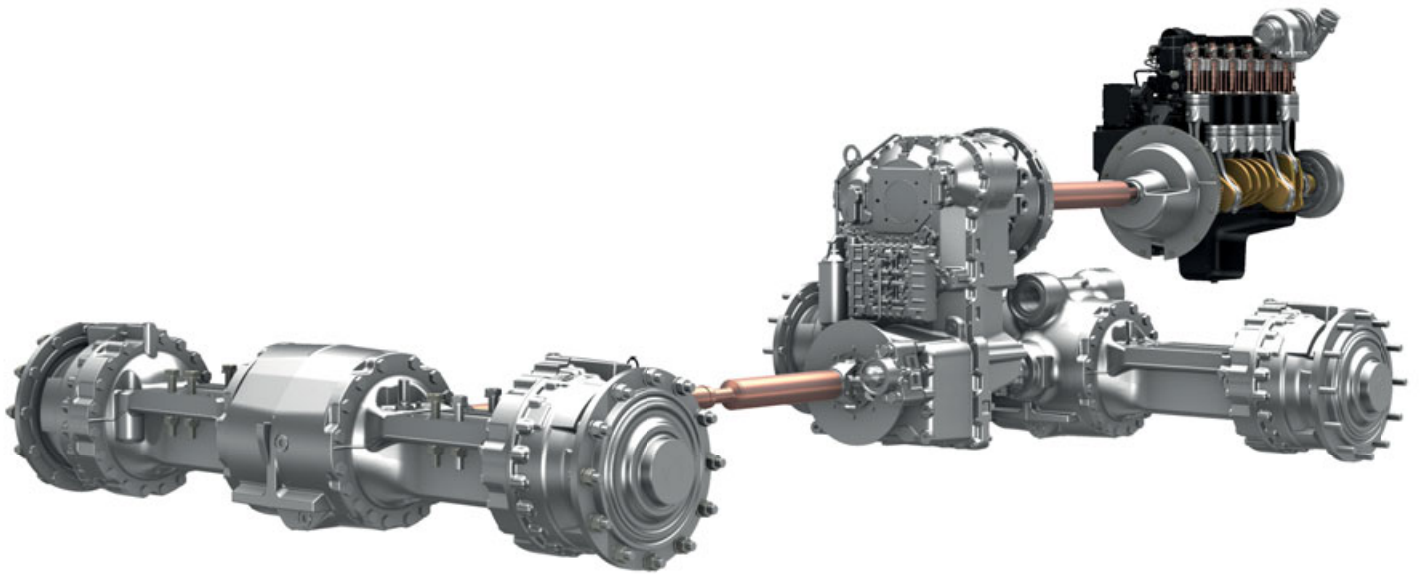
2011: EU Stage IIIB  
US Tier 4 interim



2015: EU Stage IV  
US Tier 4 final

It would take six months for a Tier 4 Final wheel loader with HI-eSCR technology to produce the particulate and NOx emissions that a Tier 1 wheel loader would produce in one day.

# G-SERIES WHEEL LOADERS



## HIGH RELIABILITY

### Heavy-duty axles

The heavy-duty axles are tougher, bigger and easier to service thanks to the 3-piece housing design. Wet multiple disc brakes, made of resistant sintered bronze, are located in each wheel hub. Our heavy-duty axles are engineered to support L5 or solid tyres for very abrasive environments. Solid tyres can be factory fitted.

A higher value results from:

- 20-30% lower tyre wear because of no slippage between the wheels;
- reduced fuel consumption because there is no friction in the differential
- reduced downtime for maintenance because of fewer moving components with open differentials.



## COST SAVINGS

### 100% auto lock differential

With open differentials, no friction is applied to reduce wheel slip. As a result, there is less tyre wear and lower energy losses.

With the 100% Auto-lock, 100% of the available torque is transmitted to the wheels to provide maximum tractive effort.



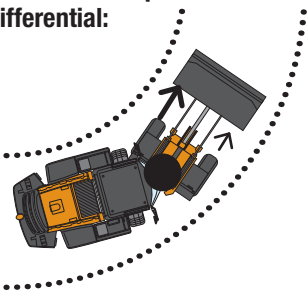
# AXLES AND DIFFERENTIALS

## WHEN EFFICIENCY MEETS PRODUCTIVITY



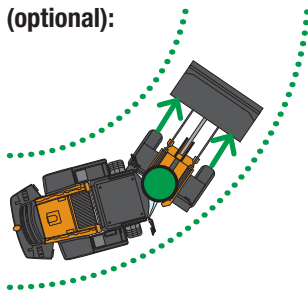
### Taking a curve on solid ground

With limited slip differential:



Automatic slip limited engagement  
 - Internal losses and wind up  
 - Increased tyre wear

With 100% diff lock (optional):



No engagement (open diff)  
 - No energy loss  
 - Less tyre wear

### Loading on soft ground

With limited slip differential:



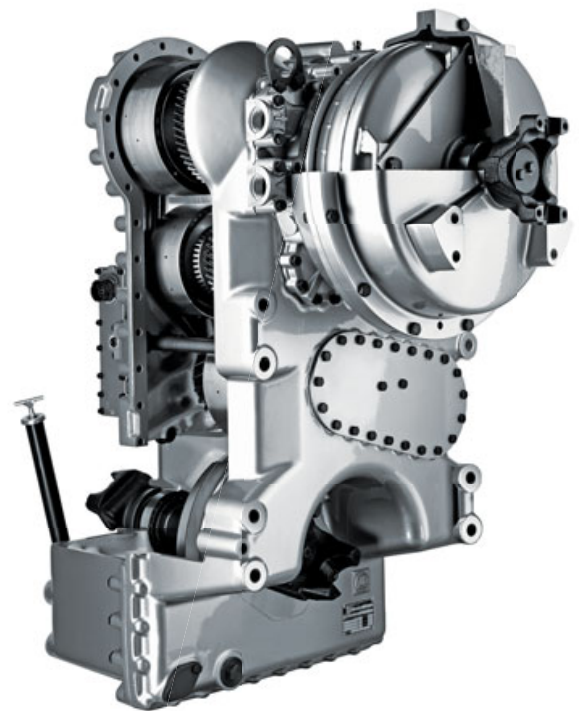
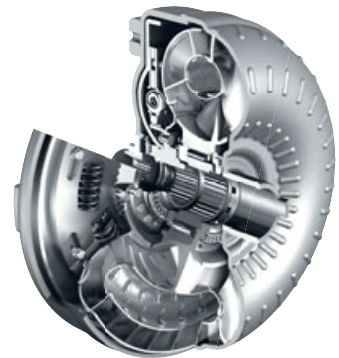
- 70% tractive effort transmitted to the wheels  
 - automatic engagement

With 100% diff lock (optional):



- 100% tractive effort transmitted to the wheels  
 - automatic or manual engagement

# G-SERIES WHEEL LOADERS



## HIGH EFFICIENCY

### ProShift transmission

ProShift transmission provides on average 1,5 litre/hour fuel saving and up to 20% faster cycle time.

This is the result of three premium features:

1. 5-speed transmission

The 5 speeds allow to always work at lower rev's compared to 4-speed transmission. Lower rev's result in lower fuel usage. When the ECO mode is selected not only the engine gives priority to fuel efficiency but also the transmission shifts at lower rev's in order to increase fuel efficiency and noise emission.

2. Torque Converter Lock-up

Wheel loaders continuously shift gears and every time diesel saving is achieved with:

- Torque converter lock-up that kills viscous losses from 2<sup>nd</sup> up to 5<sup>th</sup> gear
- Engine de-rating during gear shifts that kills torque peaks in the clutch and contributes to lower fuel usage



# PROSHIFT TRANSMISSION GO FASTER, STAY EFFICIENT



## EASY TO USE

### Intelligent clutch cut off with power inch

#### 3. Power inch

With Power Inch, positioning the loader is as smooth as with a hydrostatic transmission, with the added advantage of massive pushing power delivered by the torque converter. This also prevents rolling back on slopes.

The automatic start of the transmission in second gear reduces operator fatigue, fuel usage and stress on the torque converter. With the further enhancement of a torque-based 2- to-1 downshift, the transmission will downshift automatically based on machine load or manually with the kick-down button located on the joystick.

# G-SERIES WHEEL LOADERS



## HIGH RELIABILITY

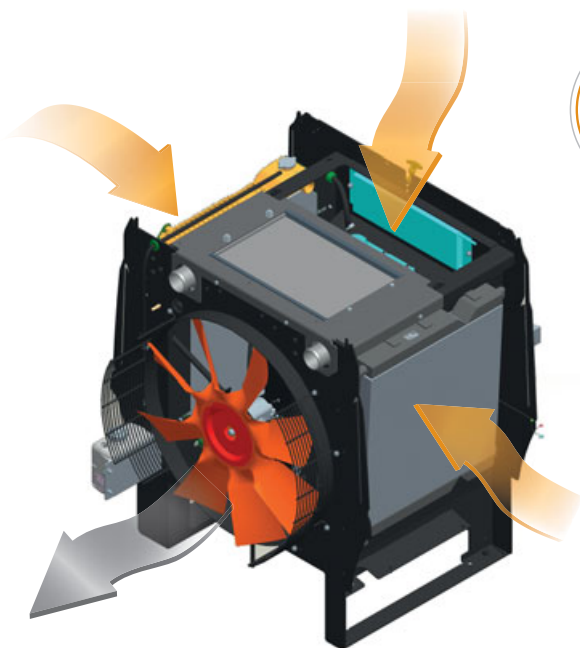
### CASE cooling cube

The unique design of the CASE cooling cube, with five radiators mounted to form a cube instead of overlapping, ensures a constant flow of fresh and clean air from the sides and from the top, to maintain constant fluid temperatures.

The cube structure provides easy access to radiators for a more effective cleaning and serviceability: additional cleaning can also be easily done manually, with separate access to each radiator.

### Designed for dusty environment

The cooling system is mounted behind the cab, far from the rear bumper of the machine and from the ground: away from the dust.



# CASE COOLING CUBE THE ANTI-CLOGGING SOLUTION



## SUPERIOR COOLING EFFECTIVENESS

### Heavy-duty cooling

Handling fertilizer, cereals, animal feed or other materials indoors usually leads to radiator clogging. CASE's solution is the Heavy-duty Cooling option, available on 621G and 721G models, which features:

- Extra thin inlet grille that stops bigger particles
- Sealed radiator covers that ensure the cooling air is 100% filtered
- Wide core radiators increase self cleaning with the reversible fan and prevent clogging.



### HEAVY-DUTY GRILLE OUTSIDE



Heavy-Duty



Standard

### HEAVY-DUTY COOLERS INSIDE



Heavy-Duty



Standard

# G-SERIES WHEEL LOADERS



# NEW CAB

## THE ULTIMATE COMFORT



### HIGH VISIBILITY

#### Front visibility

- The one-piece design windshield provides an unobstructed panoramic view.

#### Rear Visibility

- Multiple rear view convex mirrors, a rear view display, the slim engine hood and rear grid defroster ensure optimum rear visibility.

#### Night Visibility

- LED lighting is so effective that you won't see any difference between night and day work



### OPERATOR PROTECTION

#### Noise and vibration

- The new active suspension premium seat features Electronic Auto-Weight adjustment, a Dynamic Dampening system and a low frequency shock absorption system. Combined with the suspended cab mount and the positioning of the engine at the rear, this reduces the noise and vibrations the operator is subjected to.
- Noise in the cab is not only low (68-69 dB): it also sounds great

#### Cab air

- Primary and recirculation filtration efficiency now reaches 99% of particles with improved dust capacity and longer replacement intervals. When working in particularly tough conditions, additional HEPA and Active Carbon filters can be fitted.

#### Cab access

- Access is easier and safer thanks to the optimised handrails and the pull-type handle



### OPERATING COMFORT

#### Seat and controls

- The seat mounted armrest gives more accurate control and comfort. It features 3<sup>rd</sup>/4<sup>th</sup> function proportional control integrated in the joystick.
- New Joystick Steering: the operator handles two equally sized joysticks, just like on an excavator, which reduces fatigue. It features speed proportional sensitivity and slow/medium/fast settings.
- The suspended seat includes seat heaters which warm it up in the cold winter mornings.

#### User interface

- The premium control interface with 8" color display offers intuitive navigation through the machine's information and settings.
- The hands free calling kit features an integrated microphone connected to the radio via bluetooth.

#### Life on board

- The CASE electrically powered cool box keeps your lunch fresh all day long.
- Multiple storage areas enable you to store documents, beverages and personal objects conveniently

# MAINTENANCE AND ADDITIONAL OPTIONS

## EASINESS AND PROTECTION



The layout of the components under the hood is optimised and results in easier maintenance.



Hood opening and battery on/off switches. In case of flat battery, hood can be opened externally with Remote jump start



Grouped drains for clean and quick oil changes



## SAFE AND EASY MAINTENANCE

### Ground level serviceability

- One-piece electric hood

The positioning of the engine at the rear and the easy-to-open electric hood provide fast access to the service points. Jumper cables are available as standard for jump starting the engine if the battery is low.

- Grouped service points

Don't be surprised if you don't see any safety handrails around the hood or steps behind the rear wheels, all service points are easily accessible at ground level. You can do a fast visual check of the hydraulic and transmission oil levels. The three drains are grouped together on the left side, so that fluids are easy and quick to replace.

- Greater safety

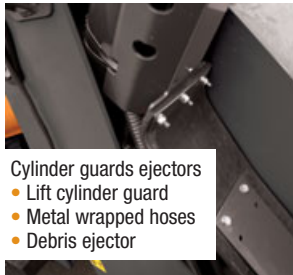
All the main service points are easily accessible from the ground, so you can carry out your daily maintenance safely and efficiently.

# G-SERIES WHEEL LOADERS

Waste Handler guards for 621G, 721G, 821G and 921G



Windshield guard



Cylinder guards ejectors  
 • Lift cylinder guard  
 • Metal wrapped hoses  
 • Debris ejector



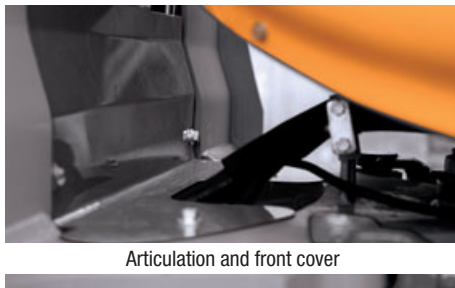
Rear light guards



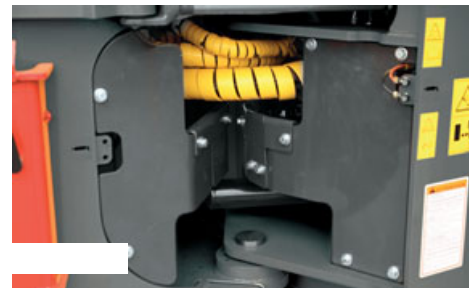
Front light guards



Bottom guards (front and rear)



Articulation and front cover



## TELEMATICS ANTICIPATION AND CONTROL

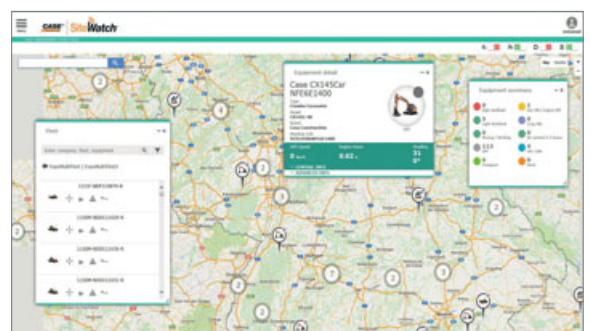
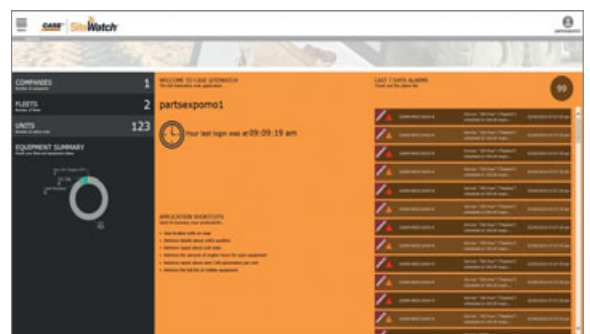


### THE SCIENCE BIT

The Case SiteWatch telematics system uses a high-tech control unit mounted on each machine to collate information from that machine and from GPS satellites. This data is then sent wirelessly through the mobile communication networks to the Case Telematics Web Portal.

SiteWatch: centralised fleet control benefits at your fingertips

- 📶 Measure your true asset availability and optimise it
- 📶 Challenge your Total Cost of Ownership!
- 📶 More Safety, Lower Insurance Premium



# MAIN REASONS TO CHOOSE THE G-SERIES



## OPERATOR PROTECTION

- Viscous cab suspension
- Pressurized cab with high efficiency filtration
- Low noise (68-69 dB) and vibration



## BEST-IN-CLASS VISIBILITY

- One-piece design windshield, high-efficiency lighting, convex rear mirrors and rear view camera provide optimum visibility 24 hours a day



## HIGH PRODUCTIVITY

- Up to 38% payload-to-weight ratio
- Best-in-class breakout force



## HIGH EFFICIENCY

- Optimized combustion efficiency with Hi-eSCR
- Optimized power transmission with 5-speed transmission and lock-up clutch







## **SUPERIOR COMFORT**

- Seat mounted console
- Premium control interface with 8" display
- Hands-free calling kit
- Multiple storage areas
- Active suspension premium seat



## **SAFE AND EASY MAINTENANCE**

- The rear mounted engine below the electric easy-to open hood is accessible at ground level. Grouped drains rationalise maintenance operations.



## **HIGH RELIABILITY**

- Heavy-duty axles
- 100% differential lock
- Best-in-class cooling system with cube layout

# G-SERIES

## WHEEL LOADERS

### ENGINE

	521G	621G	721G	821G	921G
FPT engine	N45	N67	N67	N67	N67
Cylinders	4	6	6	6	6
Displacement (l)	4.5	6.7	6.7	6.7	6.7
Air intake	Turbocharger with air-to-air cooling.				
	No EGR valve is used: Only fresh air is taken for combustion and no extra cooling system is needed.				
Injection	Common Rail Multiple Injection.				
After Treatment System	HI-eSCR (DOC+SCR)				
Emission level	Compliant with EU Stage IV and US Tier IV Final				
Max. power (kW)	106	128	145	172	190
Max. power (hp)	142	172	195	230	255
(@rpm)	1800	1800	1800	1800	1800
(SAE J1349)					
Max. torque (N.m)	608	730	950	1184	1300
(@rpm)	1600	1600	1300	1300	1300
(SAE J1349)					

### TRANSMISSION

Proshift (optional on 621G, 721G, 821G, 921G): 5-speed powershift with lock up  
Lock up clutch eliminates torque converter losses from second gear up to fifth gear.  
Power inch \_\_\_\_\_ Proportional declutching depending on braking intensity.

Forward 1 (km/h)	-	7	7	6.6	6.4
Forward 2 (km/h)	-	13	13	11	11
Forward 3 (km/h)	-	20	19	17	17
Forward 4 (km/h)	-	31	30	26	26
Forward 5 (km/h)	-	45	45	40	40
Reverse 1 (km/h)	-	7	8	7	7
Reverse 2 (km/h)	-	14	14	12	12
Reverse 3 (km/h)	-	32	31	28	28

4-Speed powershift

Intelligent Clutch Cut Off (ICCO)

Forward 1 (km/h)	6	7	8	7	7
Forward 2 (km/h)	11	13	13	12	12
Forward 3 (km/h)	22	24	25	23	23
Forward 4 (km/h)	36	39	37	37	36
Reverse 1 (km/h)	6.4	7	8	7	7
Reverse 2 (km/h)	12	14	13	13	13
Reverse 3 (km/h)	23	25	26	25	25

### AXLES AND DIFFERENTIAL

Rear axle total oscillation \_\_\_\_\_ 24°

Heavy duty ZF axles \_\_\_\_\_ with open differentials and automatic. 100% lock system on the front differential. 100% tractive effort always, no wheel slip, less tire wear.

Standard ZF axles \_\_\_\_\_ with limited slip differentials front and rear 73% tractive effort on slippery ground.

### TYRES

Tyres	17.5R25 20.5R25	20.5R25	20.5R25	23.5R25	23.5R25
-------	--------------------	---------	---------	---------	---------

### BRAKES

	521G	621G	721G	821G	921G
Service brake	Maintenance free, self-adjusting wet 4-wheel disc brakes.				
Brake disc area (m <sup>2</sup> /hub)	0.39	0.39	0.39	0.39	0.47
Parking brake	With the negative brake all four wheels are automatically stopped when the engine is stopped.				
Parking disc brake area (cm <sup>2</sup> )	58	58	82	82	82

### HYDRAULICS

Valves	Rexroth Closed-center, Load sensing hydraulic. Main valve with 3 sections.				
Steering	The steering orbitrol hydraulically is actuated with priority valve.				
Automatic functions	Bucket Return-to-dig, Boom Return-to-travel, Boom Auto-lift.				
Control type	Pilot control with single joystick				
Type of pump	Tandem Variable displacement pump.				
(l/min)	134	171	206	240	282
(@rpm)	2000	2000	2000	2000	2000

### AUXILIARY HYDRAULIC CIRCUIT

Max flow (l/min)	162	162	260	260	260
Max pressure (bar)	227	227	224	224	224

### SERVICE CAPACITIES

Fuel tank (l)	189	248	246	288	288
AdBlue tank (l)	41.3	41.3	41.3	41.3	41.3
Cooling system (l)	22	26.8	28	30	30
Engine oil (l)	12	13	13	13	13
Hydraulic oil tank (l)	57	91	91	91	91
Total hydraulic system oil (l)	114	148	180	180	200
Front and Rear Axles (l)	22+22	22+22	35+35	40+40	42+40
Transmission oil (l)	19	27	34	34	34

### CAB PROTECTION

Protection against falling objects (FOPS) \_\_\_\_\_ ISO EN3449

Protection against roll over (ROPS) \_\_\_\_\_ ISO EN13510

### SOUND AND VIBRATION

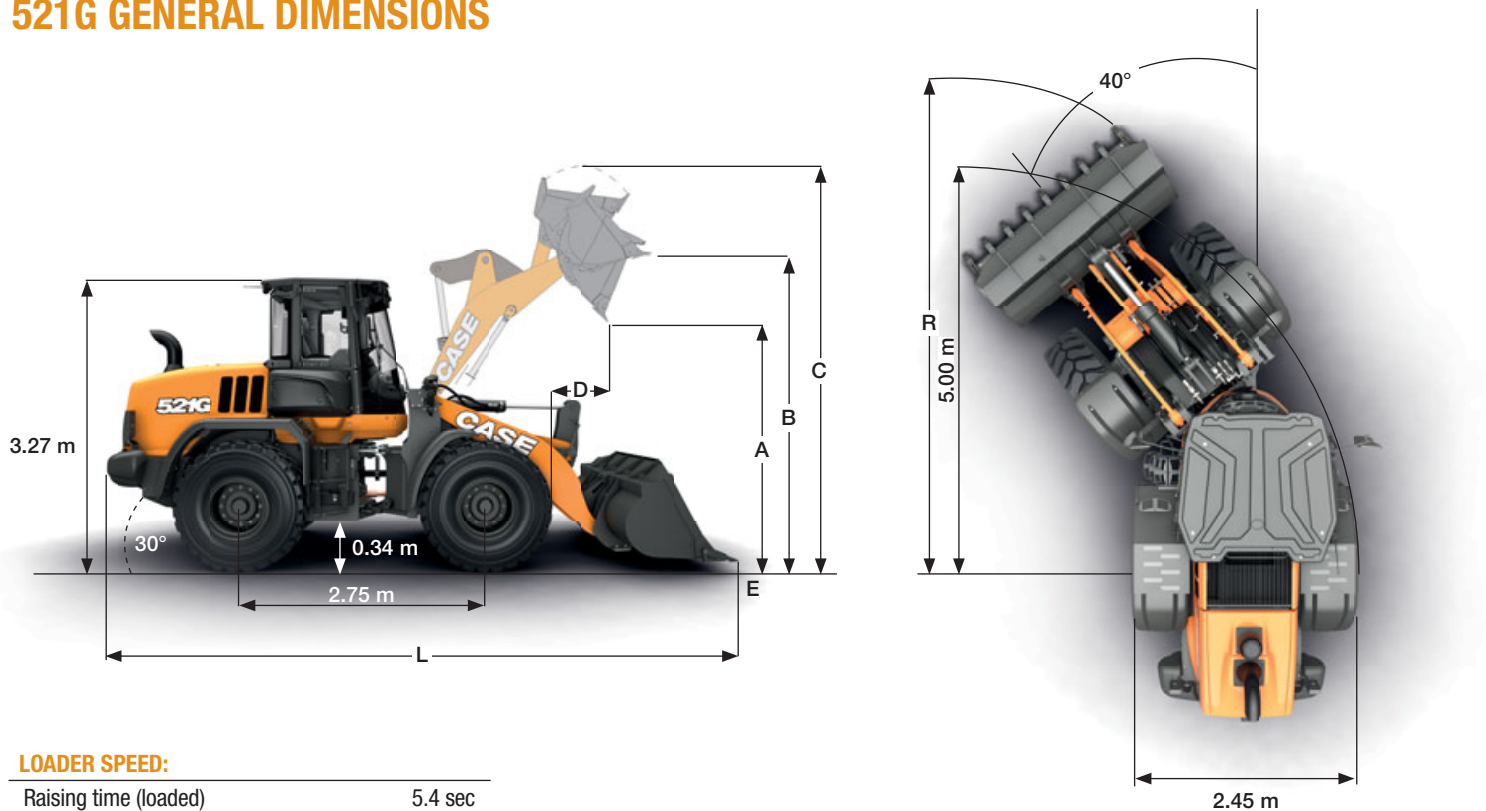
In the cab - LpA (dB) (ISO 6396: 2008)	68	68	68	68	69
Outside - LwA (dB) (2000/14/EC)	102	104	103	104	104
Vibrations	Operator 's seat meets the criteria of ISO 7096:2000. The vibrations transmitted do not exceed 0.5 m/s <sup>2</sup>				

### ELECTRICAL SYSTEM

24V. Batteries 2 x 12V.

Alternator (A)	70	120	120	120	120
----------------	----	-----	-----	-----	-----

## 521G GENERAL DIMENSIONS



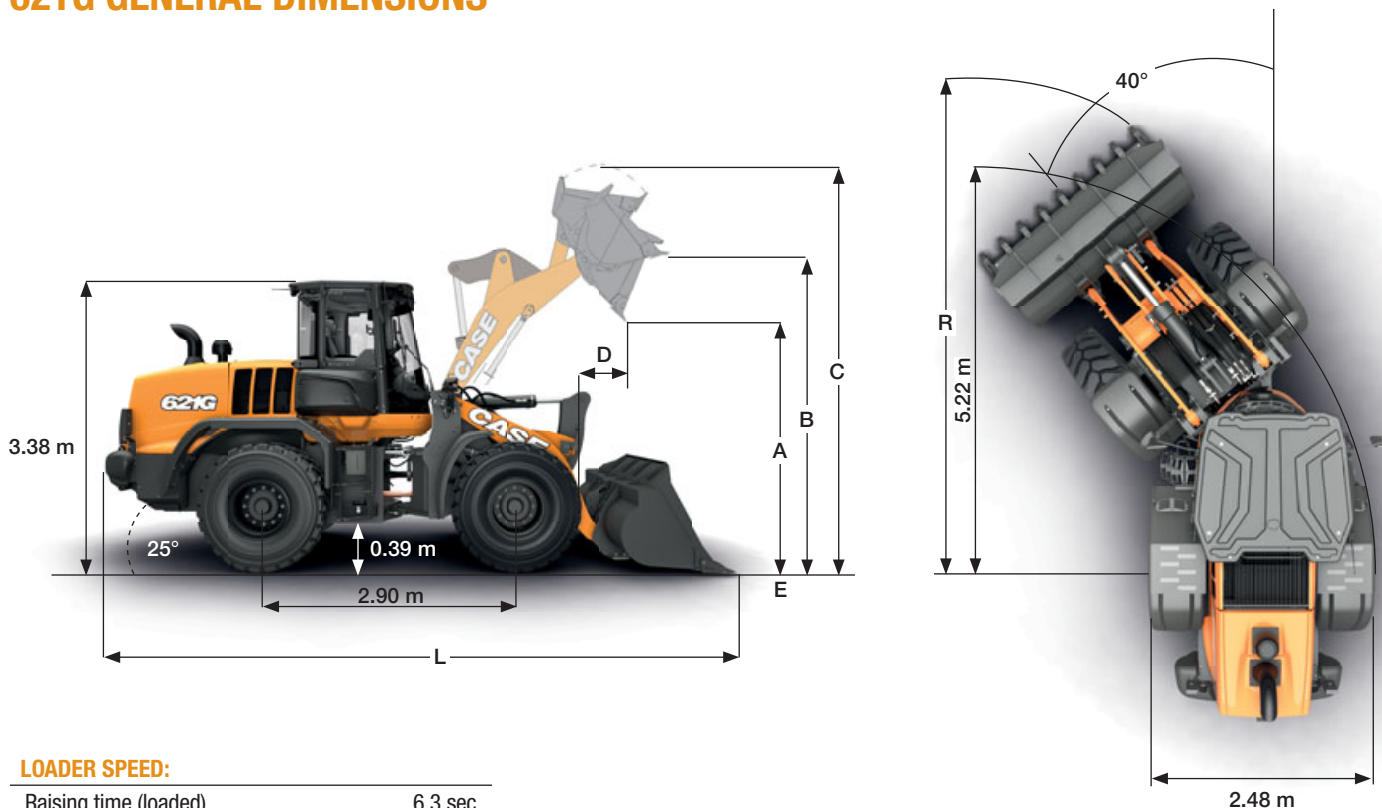
### LOADER SPEED:

Raising time (loaded)	5.4 sec
Dump time (loaded)	1.2 sec
Lowering time (empty, power down)	3.9 sec
Lowering time (empty, float down)	3.9 sec

521G		Z-bar bucket				XR bucket				XT bucket	
		2.1 m <sup>3</sup> pin-on		1.7 m <sup>3</sup> w/QC		1.9 m <sup>3</sup> pin-on		1.7 m <sup>3</sup> w/QC		1.7 m <sup>3</sup> w/QC	
		edge	teeth + segments	edge	teeth + segments	edge	teeth + segments	edge	teeth + segments	edge	teeth + segments
	Bucket volume (ISO 7546)	m <sup>3</sup>	2.1	2.1	1.8	1.7	1.9	1.8	1.8	1.7	1.7
	Bucket volume at 110% filling rate	m <sup>3</sup>	2.3	2.3	1.9	1.9	2.1	2.0	1.9	1.9	1.9
	Bucket Payload	kg	3895	3880	3735	3735	3350	3330	3170	3165	3170
	Maximum material density (100% filling rate)	ton/m <sup>3</sup>	1.85	1.87	2.13	2.18	1.78	1.81	1.81	1.85	1.81
	Bucket outside width	m	2.50	2.54	2.50	2.54	2.50	2.54	2.50	2.54	2.50
	Bucket weight	kg	850	880	1050	1080	815	840	1050	1080	1050
	Tipping load - straight	kg	8870	8830	8530	8530	7650	7620	7280	7270	7260
	Tipping load - Articulated at 40°	kg	7790	7760	7470	7470	6700	6660	6340	6330	6350
	Breakout force	kg	7600	7880	7020	7210	8130	8390	7020	7210	8050
	Lift capacity from ground	kg	8870	8810	7900	8020	8930	8890	8520	8560	10500
A	Dump height at 45° at full height	m	2.61	2.55	2.48	2.41	3.04	2.98	2.92	2.86	2.43
B	Hinge pin height	m	3.61	3.61	3.61	3.61	3.99	3.99	3.98	3.98	3.74
C	Overall height	m	4.74	4.74	4.74	4.74	5.06	5.06	5.12	5.12	4.93
D	Bucket reach at full height	m	1.11	1.19	1.07	1.13	1.04	1.12	1.13	1.20	1.11
E	Dig depth	cm	8	8	10	10	11	11	14	14	20
L	Overall length with bucket on the ground	m	6.84	6.94	6.93	7.03	7.11	7.21	7.27	7.37	7.12
	Overall length without bucket	m	5.77	5.77	5.77	5.77	6.09	6.09	6.09	6.09	5.73
R	Turning radius to front corner of the bucket	m	5.53	5.57	5.53	5.57	5.67	5.72	5.69	5.74	5.53
	Bucket rollback in carry position	°	44°	44°	50°	50°	46°	46°	51°	51°	53°
	Dump angle at full height	°	55°	55°	45°	45°	51°	51°	40°	40°	57°
	Machine operating weight with XHA2 (L3) tyres	kg	11100	11130	11300	11330	11190	11220	11430	11460	11560
	Machine operating weight with VSDL (L5) tyres	kg	11740	11770	11940	11970	11830	11860	12070	12100	12200

# G-SERIES WHEEL LOADERS

## 621G GENERAL DIMENSIONS

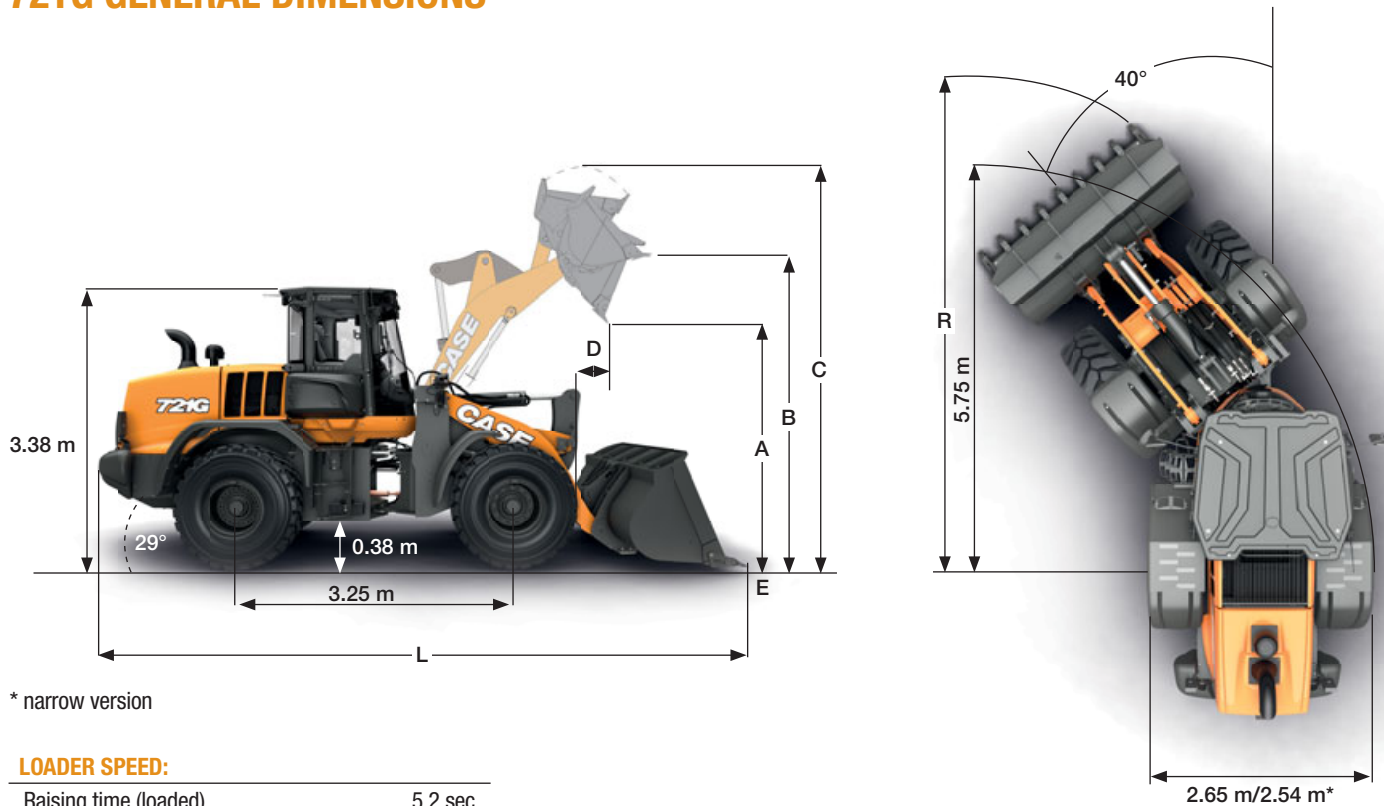


### LOADER SPEED:

Raising time (loaded)	6.3 sec
Dump time (loaded)	1.2 sec
Lowering time (empty, power down)	4.4 sec
Lowering time (empty, float down)	4.8 sec

621G		Z-bar bucket				XR bucket				XT bucket		
		2.3 m <sup>3</sup> pin-on		2.0 m <sup>3</sup> w/QC		2.1 m <sup>3</sup> pin-on		2.0 m <sup>3</sup> w/QC		2.0 m <sup>3</sup> w/QC		
		edge	teeth + segments	edge	teeth + segments	edge	teeth + segments	edge	teeth + segments	edge	teeth + segments	
	Bucket volume (ISO 7546)	m <sup>3</sup>	2.3	2.3	2.0	2.0	2.1	2.1	2.0	2.0	2.0	2.0
	Bucket volume at 110% filling rate	m <sup>3</sup>	2.5	2.5	2.2	2.2	2.3	2.3	2.2	2.2	2.2	2.2
	Bucket Payload	kg	4700	4675	4445	4435	3980	3960	3685	3675	3865	3860
	Maximum material density (100% filling rate)	ton/m <sup>3</sup>	2.04	2.06	2.19	2.22	1.92	1.91	1.82	1.84	1.90	1.93
	Bucket outside width	m	2.50	2.54	2.50	2.54	2.50	2.54	2.50	2.54	2.50	2.54
	Bucket weight	kg	930	960	1380	1400	880	910	1375	1405	1255	1285
	Tipping load - straight	kg	10800	10760	10270	10260	9190	9150	8580	8560	8940	8930
	Tipping load - Articulated at 40°	kg	9400	9350	8890	8870	7960	7920	7370	7350	7730	7720
	Breakout force	kg	10100	10380	9450	9640	11550	11910	9480	9670	10440	10640
	Lift capacity from ground	kg	9860	9790	8710	8780	11520	11480	10820	10810	13450	13670
	A Dump height at 45° at full height	m	2.75	2.68	2.70	2.63	3.26	3.20	3.21	3.15	2.57	2.49
	B Hinge pin height	m	3.83	3.83	3.83	3.83	4.26	4.26	4.24	4.24	3.96	3.96
	C Overall height	m	5.04	5.04	5.05	5.05	5.46	5.46	5.46	5.46	5.23	5.23
	D Bucket reach at full height	m	1.08	1.15	1.10	1.18	1.00	1.07	1.21	1.30	1.10	1.17
	E Dig depth	cm	9	9	9	9	9	9	9	9	18	18
	L Overall length with bucket on the ground	m	7.47	7.57	7.53	7.63	7.76	7.85	7.93	8.04	7.78	7.88
	Overall length without bucket	m	6.28	6.28	6.28	6.28	6.69	6.69	6.69	6.69	6.2	6.2
	R Turning radius to front corner of the bucket	m	5.76	5.81	5.75	5.79	5.92	5.97	5.94	5.99	5.72	5.77
	Bucket rollback in carry position	°	45°	45°	50°	50°	46°	46°	51°	51°	59°	59°
	Dump angle at full height	°	51°	51°	41°	41°	46°	46°	35°	35°	50°	50°
	Machine operating weight with XHA2 (L3) tyres	kg	12850	12880	13300	13330	12980	13010	13480	13510	13380	13410
	Machine operating weight with VSDL (L5) tyres	kg	13530	13560	13980	14010	13660	13690	14160	14190	14060	14090

## 721G GENERAL DIMENSIONS



\* narrow version

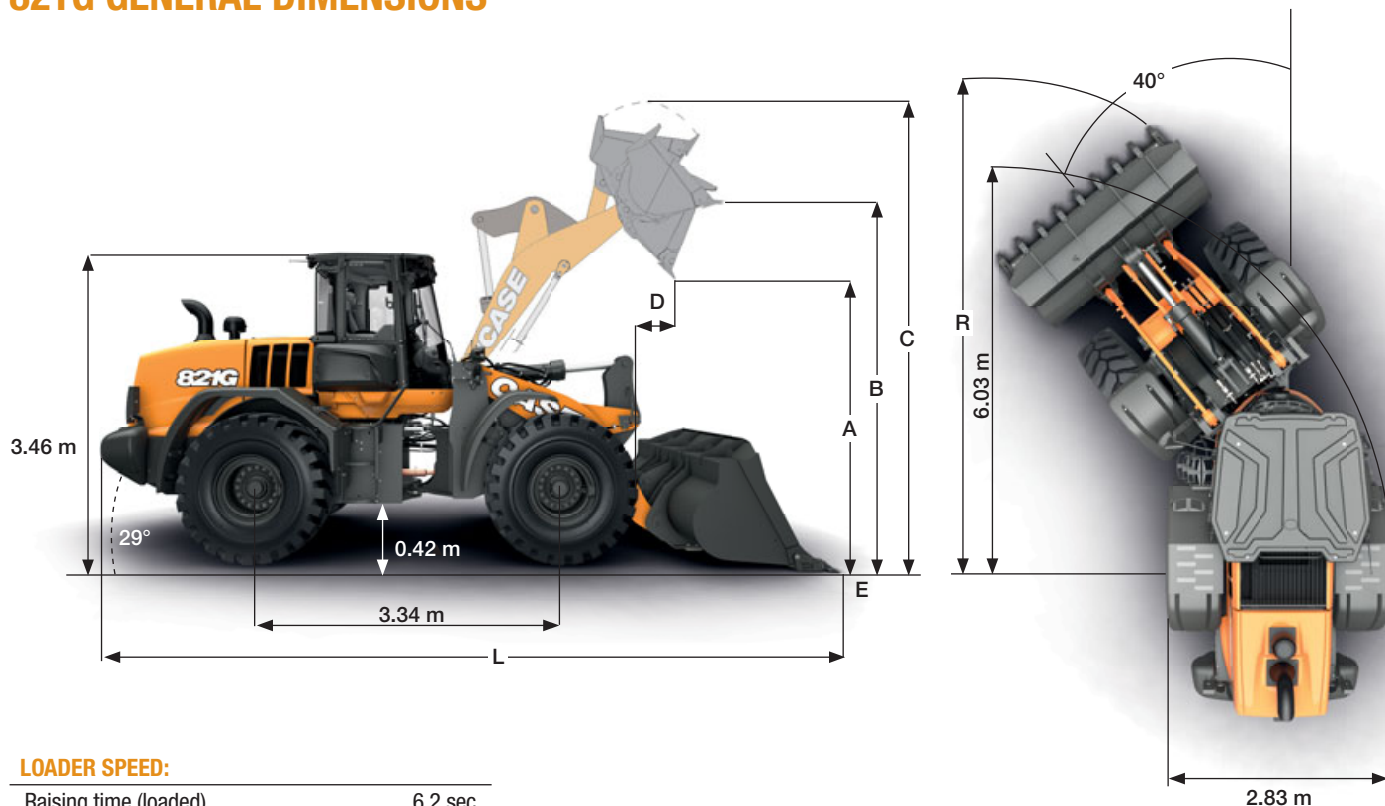
### LOADER SPEED:

Raising time (loaded)	5.2 sec
Dump time (loaded)	1.2 sec
Lowering time (empty, power down)	5.2 sec
Lowering time (empty, float down)	1.2 sec

721G		Z-bar bucket				XR bucket				XT bucket	
		2.7 m <sup>3</sup> pin-on		2.7 m <sup>3</sup> w/QC		2.7 m <sup>3</sup> pin-on		2.7 m <sup>3</sup> w/QC		2.7 m <sup>3</sup> w/QC	
		edge	teeth + segments	edge	teeth + segments	edge	teeth + segments	edge	teeth + segments	edge	teeth + segments
Bucket volume (ISO 7546)	m <sup>3</sup>	2.7	2.7	2.7	2.7	2.7	2.7	2.7	2.7	2.7	2.7
Bucket volume at 110% filling rate	m <sup>3</sup>	3.0	3.0	3.0	2.9	3.0	3.0	3.0	2.9	3.0	2.9
Bucket Payload	kg	5495	5440	4765	4730	4590	4540	3985	4035	4270	4230
Maximum material density (100% filling rate)	ton/m <sup>3</sup>	2.01	2.01	1.76	1.77	1.68	1.69	1.47	1.51	1.58	1.58
Bucket outside width	m	2.71	2.73	2.71	2.73	2.71	2.73	2.71	2.73	2.71	2.73
Bucket weight	kg	1220	1300	1750	1830	1220	1300	1745	1765	1680	1760
Tipping load - straight	kg	12640	12530	11040	10980	10620	10150	9300	9420	9890	9820
Tipping load - Articulated at 40°	kg	10990	10880	9530	9460	9180	9080	7970	8070	8540	8460
Breakout force	kg	14600	14700	12120	12190	14550	14670	11990	12290	11940	12010
Lift capacity from ground	kg	13710	13620	12440	12400	11380	11290	10320	10360	13920	13720
A Dump height at 45° at full height	m	2.93	2.82	2.73	2.63	3.33	3.22	3.13	3.02	2.80	2.69
B Hinge pin height	m	3.98	3.98	3.98	3.98	4.37	4.37	4.37	4.37	4.16	4.16
C Overall height	m	5.32	5.32	5.35	5.35	5.72	5.72	5.93	5.93	5.50	5.50
D Bucket reach at full height	m	1.12	1.22	1.17	1.25	1.12	1.22	1.17	1.26	1.16	1.25
E Dig depth	cm	8	9	7	8	9	9	7	8	12	14
L Overall length with bucket on the ground	m	7.65	7.80	7.84	7.99	8.02	8.16	8.20	8.34	8.00	8.14
Overall length without bucket	m	6.53	6.53	6.53	6.53	6.85	5	6.85	6.85	6.52	6.52
R Turning radius to front corner of the bucket	m	6.32	6.38	6.41	6.46	6.50	6.58	6.59	6.65	6.41	6.46
Bucket rollback in carry position	°	44°	44°	38°	38°	43°	43°	37°	37°	61°	61°
Dump angle at full height	°	50°	50°	51°	51°	50°	50°	51°	51°	47°	47°
Machine operating weight with XHA2 (L3) tyres	kg	14770	14850	15290	15370	14970	15050	15490	15510	15390	15470
Machine operating weight with VSDL (L5) tyres	kg	15450	15530	15970	16050	15650	15730	16170	16190	16070	16150

# G-SERIES WHEEL LOADERS

## 821G GENERAL DIMENSIONS

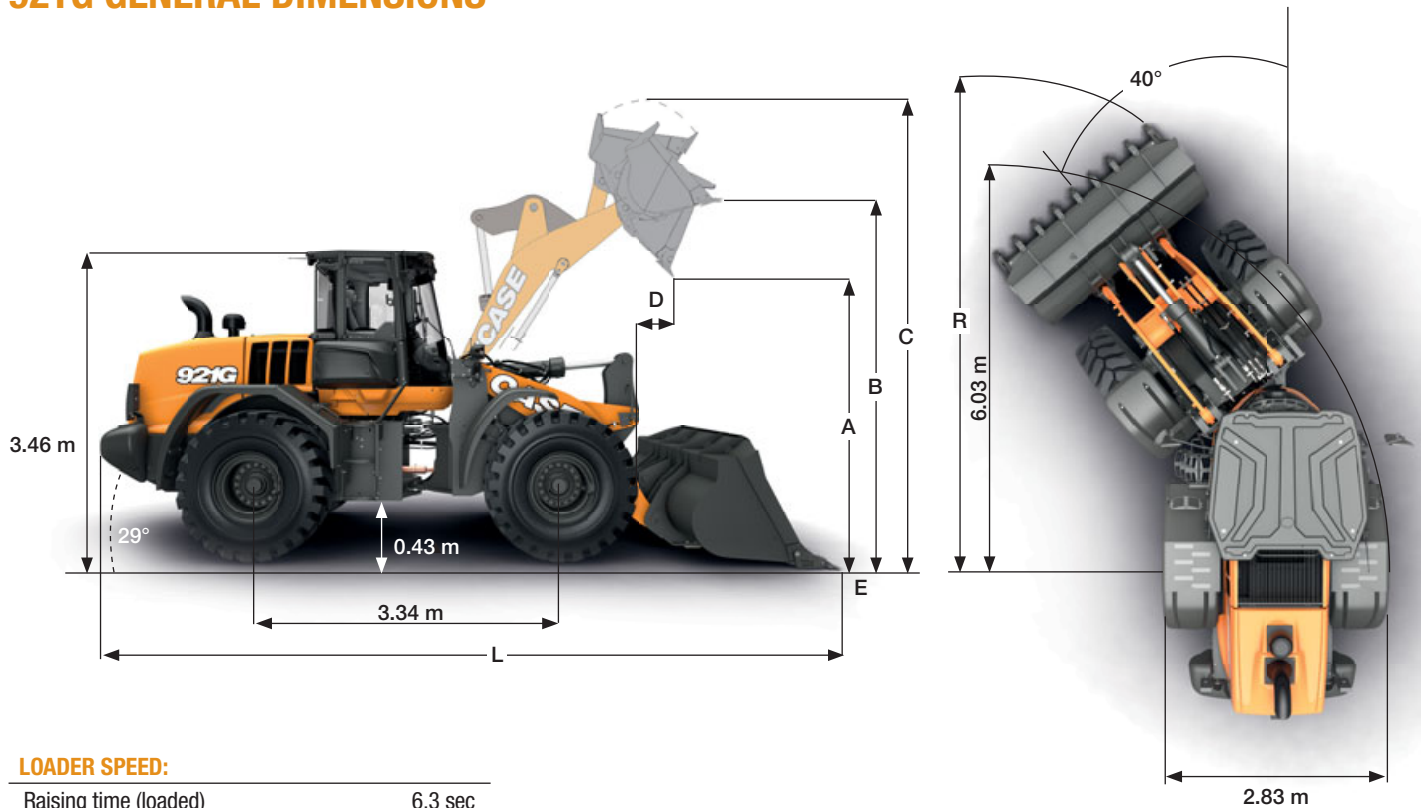


### LOADER SPEED:

Raising time (loaded)	6.2 sec
Dump time (loaded)	1.2 sec
Lowering time (empty, power down)	2.9 sec
Lowering time (empty, float down)	2.5 sec

821G		Z-bar bucket				XR bucket			
		3.6 m <sup>3</sup> pin-on		3.3 m <sup>3</sup> pin-on		3.2 m <sup>3</sup> pin-on		2.8 m <sup>3</sup> pin-on	
		edge	teeth + segments	edge	teeth + segments	edge	teeth + segments	edge	teeth + segments
Volume, heaped (ISO 7546)	m <sup>3</sup>	3.6	3.6	3.3	3.3	3.2	3.2	2.8	2.8
Volume at 110% fill factor	m <sup>3</sup>	4.0	4.0	3.7	3.6	3.5	3.5	3.1	3.1
Bucket Payload	kg	6400	6315	6390	6340	5080	5030	5185	5135
Maximum material density (100% filling rate)	ton/m <sup>3</sup>	1.78	1.75	1.92	1.93	1.59	1.57	1.85	1.83
Bucket outside width	m	2.94	2.98	2.95	2.98	2.95	2.98	2.95	2.98
Bucket weight	kg	1650	1730	1570	1650	1540	1620	1390	1470
Tipping load - straight	kg	14710	14530	14680	14570	11750	11650	11970	11870
Tipping load - Articulated at 40°	kg	12800	12630	12780	12680	10160	10060	10370	10270
Breakout force	kg	14500	14810	15040	15400	15700	16060	18020	18530
Lift capacity from ground	kg	17950	17470	17720	17630	13900	13810	14140	14050
A Dump height at 45° at full height	m	2.90	2.82	2.93	2.85	3.39	3.31	3.51	3.43
B Hinge pin height	m	4.12	4.12	4.12	4.12	4.56	4.56	4.56	4.56
C Overall height	m	5.61	5.61	5.48	5.48	5.89	5.89	5.74	5.74
D Bucket reach at full height	m	1.20	1.28	1.17	1.25	1.25	1.33	1.14	1.22
E Dig depth	cm	7	8	7	8	14	15	13	14
L Overall length with bucket on the ground	m	8.13	8.25	8.08	8.20	8.53	8.66	8.36	8.48
Overall length without bucket	m	6.78	6.78	6.63	6.68	7.24	7.24	7.24	7.24
R Turning radius to front corner of the bucket	m	6.63	6.68	6.62	6.67	6.87	6.93	6.81	6.87
Bucket rollback in carry position	°	45°	45°	45°	45°	43°	43°	43°	43°
Dump angle at full height	°	55°	55°	55°	55°	49°	49°	49°	49°
Machine operating weight with XHA2 (L3) tyres	kg	18280	18360	18200	18280	18440	18520	18280	18360
Machine operating weight with VSDL (L5) tyres	kg	19180	19260	19100	19180	19340	19420	19180	19260

## 921G GENERAL DIMENSIONS



### LOADER SPEED:

Raising time (loaded)	6.3 sec
Dump time (loaded)	1.5 sec
Lowering time (empty, power down)	3.6 sec
Lowering time (empty, float down)	3.1 sec

921G		Z-bar bucket				XR bucket	
		4.0 m <sup>3</sup> pin-on		3.6 m <sup>3</sup> pin-on		3.6 m <sup>3</sup> pin-on	
		edge	teeth + segments	edge	teeth + segments	edge	teeth + segments
Volume, heaped (ISO 7546)	m <sup>3</sup>	4.0	4.0	3.6	3.6	3.6	3.6
Volume at 110% fill factor	m <sup>3</sup>	4.4	4.4	4.0	4.0	4.0	4.0
Bucket Payload	kg	7510	7475	7540	7450	5985	5910
Maximum material density (100% filling rate)	ton/m <sup>3</sup>	1.89	1.88	2.08	2.05	1.65	1.63
Bucket outside width	m	2.95	2.98	2.95	2.98	2.95	2.98
Bucket weight	kg	1770	1850	1650	1730	1650	1730
Tipping load - straight	kg	17440	17360	17490	17300	14000	13840
Tipping load - Articulated at 40°	kg	15020	14950	15080	14900	11970	11820
Breakout force	kg	17720	18170	16960	17330	17250	17630
Lift capacity from ground	kg	21810	21890	21110	20590	16780	16650
A Dump height at 45° at full height	m	2.87	2.78	2.91	2.83	3.35	3.27
B Hinge pin height	m	4.12	4.12	4.12	4.12	4.56	4.56
C Overall height	m	5.73	5.73	5.61	5.61	6.05	6.05
D Bucket reach at full height	m	1.05	1.12	1.2	1.28	1.31	1.39
E Dig depth	cm	7	8	7	8	13	14
L Overall length with bucket on the ground	m	8.14	8.26	8.21	8.33	8.70	8.82
Overall length without bucket	m	6.78	6.78	6.78	6.78	7.24	7.24
R Turning radius to front corner of the bucket	m	6.62	6.68	6.64	6.69	6.90	6.95
Bucket rollback in carry position	°	45°	45°	45°	45°	43°	43°
Dump angle at full height	°	50°	50°	55°	55°	49	49
Machine operating weight with XHA2 (L3) tyres	kg	20550	20630	20430	20510	20690	20770
Machine operating weight with VSDL (L5) tyres	kg	21450	21530	21330	21410	21590	21670

www.casece.com  
**EXPERTS FOR THE REAL WORLD**  
**SINCE 1842**

**CASE**  
CONSTRUCTION



Form No. 20153GB - MediaCross Firenze - 03/18

**CNH INDUSTRIAL  
DEUTSCHLAND GMBH**  
Case Baumaschinen  
Benzstr. 1-3 - D-74076 Heilbronn  
DEUTSCHLAND

**CNH INDUSTRIAL FRANCE, S.A.**  
16-18 Rue des Rochettes  
91150 Morigny-Champigny  
FRANCE

**CNH INDUSTRIAL - UK**  
First Floor, Barclay Court 2,  
Heavens Walk,  
Doncaster - DN4 5HZ  
UNITED KINGDOM

**CNH INDUSTRIAL - SOUTH AFRICA**  
Waterfall Business Park  
Bekker Street, Howick Close  
1685 Midrand - Johannesburg  
REPUBLIC OF SOUTH AFRICA

**CNH INDUSTRIAL  
MAQUINARIA SPAIN, S.A.**  
Avda. José Gárate, 11  
28823 Coslada (Madrid)  
ESPAÑA

**CNH INDUSTRIAL ITALIA SPA**  
Strada di Settimo, 323  
10099 San Mauro Torinese (TO)  
ITALIA

**CASE CUSTOMER CENTRE  
PARIS**  
RN 330 - Penchard  
77122 - Monthyon  
FRANCE

**CNH INDUSTRIAL - MIDDLE EAST**  
DAFZA - Dubai Airport Free Zone  
West Wing 4 B, Office 642  
P.O. Box 54588, Dubai,  
UNITED ARAB EMIRATES

**NOTE:** Standard and optional fittings can vary according to the demands and specific regulations of each country. The illustrations may include optional rather than standard fittings - consult your Case dealer. Furthermore, CNH Industrial reserves the right to modify machine specifications without incurring any obligation relating to such changes.

Conforms to directive 2006/42/EC

**CASE**  
**00800-2273-7373**

The call is free from a land line.  
Check in advance with your Mobile Operator if you will be charged. Toll free number not available from all calling areas.

