



DIECI



N2400



L3500



L4700



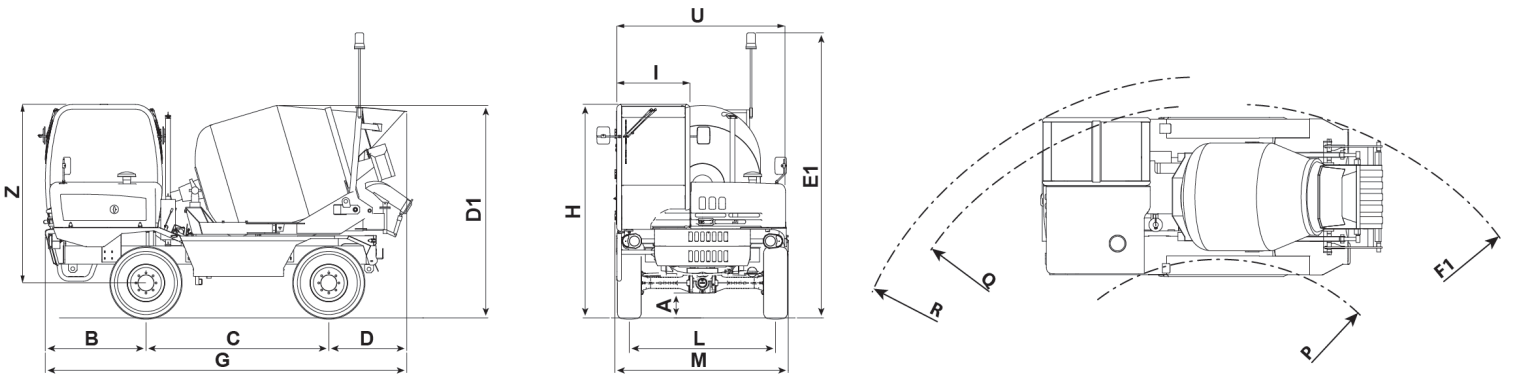
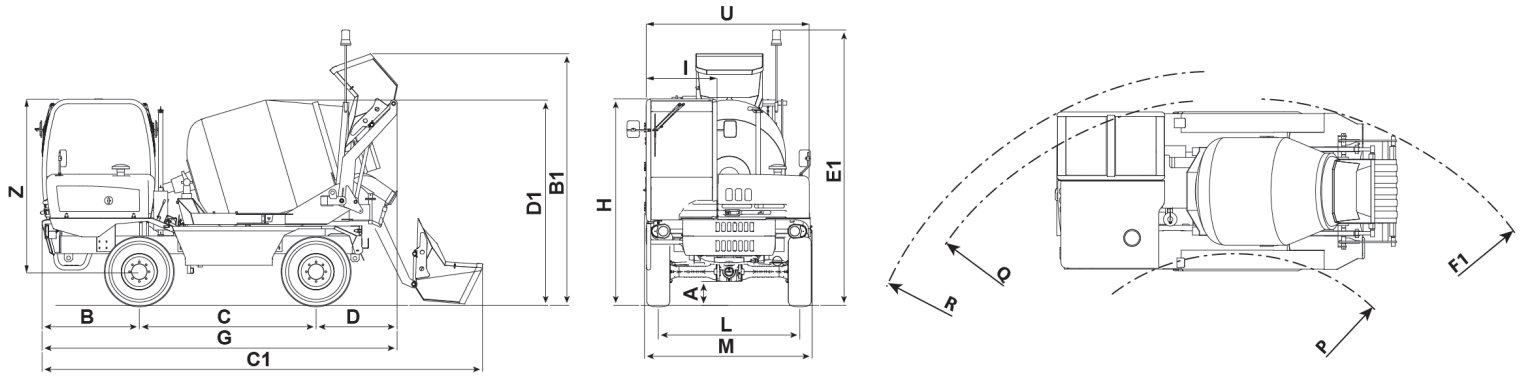
F7000

TRUCK MIXERS

GENERAL INFORMATION								
Machine model	AB N 2400	AB N 2400 T	AB L 3500	AB L 3500 T	AB L 4700	AB L 4700 T	AB F 7000	AB F 7000 T
Concrete yield	1,7 m ³ (60 ft ³)	1,7 m ³ (60 ft ³)	2,5 m ³ (88 ft ³)	2,5 m ³ (88 ft ³)	3,5 m ³ (124 ft ³)	3,5 m ³ (124 ft ³)	5,0 m ³ (177 ft ³)	5,0 m ³ (177 ft ³)
Standard tires	10.5x18"	10.5x18"	12.5x18"	12.5x18"	405/70x20"	405/70x20"	405/70x20"	405/70x20"
Unladen weight	4000 kg (8818 lb)	4000 kg (8818 lb)	5900 kg (13007 lb)	5900 kg (13007 lb)	6700 kg (14771 lb)	6400 kg (14110 lb)	7400 kg (16314 lb)	7400 kg (16314 lb)
Water tank capacity	180 L (47,55 gal)	180 L (47,55 gal)	630 L (166,43 gal)	630 L (166,43 gal)	630 L (166,43 gal)	630 L (166,43 gal)	850 L (224,55 gal)	850 L (224,55 gal)
Shovel capacity	270 L (71,33 gal)	-	500 L (132,09 gal)	-	600 L (158,5 gal)	-	600 L (158,5 gal)	-
Max speed (referred to wheels with maximum permitted diameter)	27 km/h (16,8 mph)	27 km/h (16,8 mph)	27 km/h (16,8 mph)	27 km/h (16,8 mph)	27 km/h (16,8 mph)	27 km/h (16,8 mph)	27 km/h (16,8 mph)	27 km/h (16,8 mph)
Notes	Self-priming water pump.	Self-priming water pump. Loading from hopper.	Self-priming water pump.	Self-priming water pump. Loading from hopper.	Self-priming water pump.	Self-priming water pump. Loading from hopper.	Self-priming water pump.	Self-priming water pump. Loading from hopper.
ENGINE								
Machine model	AB N 2400	AB N 2400 T	AB L 3500	AB L 3500 T	AB L 4700	AB L 4700 T	AB F 7000	AB F 7000 T
Brand	Lombardini	Lombardini	Kubota	Kubota	Kubota	Kubota	FPT	FPT
Nominal power	36,6 kW (49 HP)	36,6 kW (49 HP)	83,5 kW (112 HP)	83,5 kW (112 HP)	83,5 kW (112 HP)	83,5 kW (112 HP)	96 kW (129 HP)	96 kW (129 HP)
@rpm	3000 rpm	3000 rpm	2600 rpm	2600 rpm	2600 rpm	2600 rpm	2200 rpm	2200 rpm
Operation	4-stroke	4-stroke	4-stroke	4-stroke	4-stroke	4-stroke	4-stroke	4-stroke
Injection	Mechanical direct	Mechanical direct	Electronic, Common Rail	Electronic, Common Rail	Electronic, Common Rail	Electronic, Common Rail	Electronic, Common Rail	Electronic, Common Rail
Number and arrangement of cylinders	4, Vertical in line	4, Vertical in line	4, Vertical in line	4, Vertical in line	4, Vertical in line	4, Vertical in line	4, Vertical in line	4, Vertical in line
Displacement	2199 cm ³ (134 in ³)	2199 cm ³ (134 in ³)	3769 cm ³ (230 in ³)	3769 cm ³ (230 in ³)	3769 cm ³ (230 in ³)	3769 cm ³ (230 in ³)	4485 cm ³ (274 in ³)	4485 cm ³ (274 in ³)
Consumption	-	-	231 g/kWh (380 lb/Hp h)	231 g/kWh (380 lb/Hp h)	231 g/kWh (380 lb/Hp h)	231 g/kWh (380 lb/Hp h)	208 g/kWh (342,16 lb/Hp h)	208 g/kWh (342,16 lb/Hp h)
@rpm	-	-	2600 rpm	2600 rpm	2600 rpm	2600 rpm	1900 rpm	1900 rpm
Emission standards	Stage IIIA/Tier 3	Stage IIIA/Tier 3	Stage IIIB/Tier 4i	Stage IIIB/Tier 4i	Stage IIIB/Tier 4i	Stage IIIB/Tier 4i	Stage IIIB/Tier 4i	Stage IIIB/Tier 4i
Cooling system	Liquid	Liquid	Liquid	Liquid	Liquid	Liquid	Liquid	Liquid
Intake	Natural	Natural	Turbo compressor after-cooler	Turbo compressor after-cooler	Turbo compressor after-cooler	Turbo compressor after-cooler	16-valve turbo compressor, after-cooler	16-valve turbo compressor, after-cooler
Air Filter	-	-	Air pre-heating, air self-cleaning pre-filter and fuel pre-filter	Air pre-heating, air self-cleaning pre-filter and fuel pre-filter	Air pre-heating, air self-cleaning pre-filter and fuel pre-filter	Air pre-heating, air self-cleaning pre-filter and fuel pre-filter	Air pre-heating and fuel pre-filter	Air pre-heating and fuel pre-filter
TRANSMISSION								
Machine model	AB N 2400	AB N 2400 T	AB L 3500	AB L 3500 T	AB L 4700	AB L 4700 T	AB F 7000	AB F 7000 T
Transmission type	Hydrostatic with variable flow pump	Hydrostatic with variable flow pump	Hydrostatic with variable flow pump	Hydrostatic with variable flow pump	Hydrostatic with variable flow pump	Hydrostatic with variable flow pump	Hydrostatic with variable flow pump	Hydrostatic with variable flow pump
Reversal	Electro-Hydraulic	Electro-Hydraulic	Electro-Hydraulic	Electro-Hydraulic	Electro-Hydraulic	Electro-Hydraulic	Electro-Hydraulic	Electro-Hydraulic
Transmission gearbox	Servocontrolled 2-speed	Servocontrolled 2-speed	Servocontrolled 2-speed	Servocontrolled 2-speed	Servocontrolled 2-speed	Servocontrolled 2-speed	Servocontrolled 2-speed	Servocontrolled 2-speed
Inching	With hydraulic pedal for controlled forward movement	With hydraulic pedal for controlled forward movement	With hydraulic pedal for controlled forward movement	With hydraulic pedal for controlled forward movement	With hydraulic pedal for controlled forward movement	With hydraulic pedal for controlled forward movement	With hydraulic pedal for controlled forward movement	With hydraulic pedal for controlled forward movement
Hydraulic motor	Hydrostatic with 2 speeds and electric selection	Hydrostatic with 2 speeds and electric selection	Hydrostatic with continuous automatic adjustment	Hydrostatic with continuous automatic adjustment	Hydrostatic with continuous automatic adjustment	Hydrostatic with continuous automatic adjustment	Hydrostatic with continuous automatic adjustment	Hydrostatic with continuous automatic adjustment
DIFFERENTIAL AXLES								
Machine model	AB N 2400	AB N 2400 T	AB L 3500	AB L 3500 T	AB L 4700	AB L 4700 T	AB F 7000	AB F 7000 T
Axles type	2 steering, with 4 planetary reduction gears	2 steering, with 4 planetary reduction gears	2 steering, with 4 planetary reduction gears	2 steering, with 4 planetary reduction gears	2 steering, with 4 planetary reduction gears	2 steering, with 4 planetary reduction gears	2 steering, with 4 planetary reduction gears	2 steering, with 4 planetary reduction gears
Type of steering	4 wheels / transversal / 2 wheels	4 wheels / transversal / 2 wheels	4 wheels / transversal / 2 wheels	4 wheels / transversal / 2 wheels	4 wheels / transversal / 2 wheels	4 wheels / transversal / 2 wheels	4 wheels / transversal / 2 wheels	4 wheels / transversal / 2 wheels
Front axle	Swinging	Swinging	Swinging, self-locking	Swinging, self-locking	Swinging, self-locking	Swinging, self-locking	Swinging, self-locking	Swinging, self-locking
Rear axle	Self-locking	Self-locking	-	-	-	-	-	-
Service braking	Oil bath on front and rear axle	Oil bath on front and rear axle	Oil bath on front and rear axle	Oil bath on front and rear axle	Oil bath on front and rear axle	Oil bath on front and rear axle	Oil bath with servo brake on front and rear axle	Oil bath with servo brake on front and rear axle
Parking braking	Acting on the rear axle	Acting on the rear axle	Acting on the rear axle	Acting on the rear axle	Acting on the rear axle	Acting on the rear axle	Acting on the front axle	Acting on the front axle

DIMENSIONS

Machine model	AB N 2400	AB N 2400 T	AB L 3500	AB L 3500 T	AB L 4700	AB L 4700 T	AB F 7000	AB F 7000 T
A	330 mm (13 in)	330 mm (13 in)	340 mm (13,4 in)	340 mm (13,4 in)	390 mm (15,4 in)	390 mm (15,4 in)	435 mm (17,1 in)	435 mm (17,1 in)
B	980 mm (38,6 in)	980 mm (38,6 in)	1380 mm (54,3 in)	1380 mm (54,3 in)	1380 mm (54,3 in)	1380 mm (54,3 in)	1215 mm (47,8 in)	1215 mm (47,8 in)
B1	3225 mm (127 in)	-	3550 mm (139,8 in)	-	3860 mm (152 in)	-	3880 mm (152,8 in)	-
C	2250 mm (88,6 in)	2250 mm (88,6 in)	2500 mm (98,4 in)	2500 mm (98,4 in)	2500 mm (98,4 in)	2500 mm (98,4 in)	3210 mm (126,4 in)	3210 mm (126,4 in)
C1	5730 mm (225,6 in)	-	6230 mm (245,3 in)	-	6660 mm (262,2 in)	-	7490 mm (294,9 in)	-
D	1270 mm (50 in)	1170 mm (46,1 in)	1150 mm (45,3 in)	1170 mm (46,1 in)	1640 mm (64,6 in)	1410 mm (55,5 in)	2050 mm (80,7 in)	1675 mm (65,9 in)
D1	2620 mm (103,1 in)	2590 mm (102 in)	2900 mm (114,2 in)	2900 mm (114,2 in)	3170 mm (124,8 in)	3170 mm (124,8 in)	3070 mm (120,9 in)	3070 mm (120,9 in)
E1	-	-	3885 mm (153 in)	3885 mm (153 in)	4110 mm (161,8 in)	4110 mm (161,8 in)	4020 mm (158,3 in)	4020 mm (158,3 in)
F1	3700 mm (145,7 in)	3700 mm (145,7 in)	5340 mm (210,2 in)	5340 mm (210,2 in)	5590 mm (220,1 in)	5340 mm (210,2 in)	6450 mm (253,9 in)	6120 mm (240,9 in)
G	4495 mm (177 in)	4400 mm (173,2 in)	5030 mm (198 in)	4955 mm (195,1 in)	5520 mm (217,3 in)	5290 mm (208,3 in)	6475 mm (254,9 in)	6100 mm (240,2 in)
H	2755 mm (108,5 in)	2755 mm (108,5 in)	2915 mm (114,8 in)	2915 mm (114,8 in)	2940 mm (115,7 in)	2940 mm (115,7 in)	3075 mm (121,1 in)	3075 mm (121,1 in)
I	1000 mm (39,4 in)	1000 mm (39,4 in)	1000 mm (39,4 in)	1000 mm (39,4 in)	1000 mm (39,4 in)	1000 mm (39,4 in)	1000 mm (39,4 in)	1000 mm (39,4 in)
L	1660 mm (65,4 in)	1660 mm (65,4 in)	2000 mm (78,7 in)	2000 mm (78,7 in)	2000 mm (78,7 in)	2000 mm (78,7 in)	1920 mm (75,6 in)	1920 mm (75,6 in)
M	1960 mm (77,2 in)	1960 mm (77,2 in)	2370 mm (93,3 in)	2370 mm (93,3 in)	2400 mm (94,5 in)	2400 mm (94,5 in)	2370 mm (93,3 in)	2370 mm (93,3 in)
P	1630 mm (64,2 in)	1630 mm (64,2 in)	3030 mm (119,3 in)	3030 mm (119,3 in)	3000 mm (118,1 in)	3000 mm (118,1 in)	3750 mm (147,6 in)	3750 mm (147,6 in)
Q	3530 mm (139 in)	3530 mm (139 in)	5330 mm (209,8 in)	5330 mm (209,8 in)	5370 mm (211,4 in)	5370 mm (211,4 in)	6020 mm (237 in)	6020 mm (237 in)
R	3880 mm (152,8 in)	3880 mm (152,8 in)	5750 mm (226,4 in)	5750 mm (226,4 in)	5740 mm (226 in)	5740 mm (226 in)	6370 mm (250,8 in)	6370 mm (250,8 in)
U	1950 mm (76,8 in)	1950 mm (76,8 in)	2310 mm (90,9 in)	2310 mm (90,9 in)	2310 mm (90,9 in)	2310 mm (90,9 in)	2310 mm (90,9 in)	2310 mm (90,9 in)
Z	2300 mm (90,6 in)	2300 mm (90,6 in)	2900 mm (114,2 in)	2900 mm (114,2 in)	2440 mm (96,1 in)	2440 mm (96,1 in)	2500 mm (98,4 in)	2500 mm (98,4 in)



Dieci Srl - Via E. Majorana, 2-4 - 42027 - Montecchio Emilia (RE) ITALY

Tel. +39 0522 869611 - Fax +39 0522 869798 - E-mail: info@dieci.com - www.dieci.com

SKT Concrete mixers EC -UK | v. 1.4