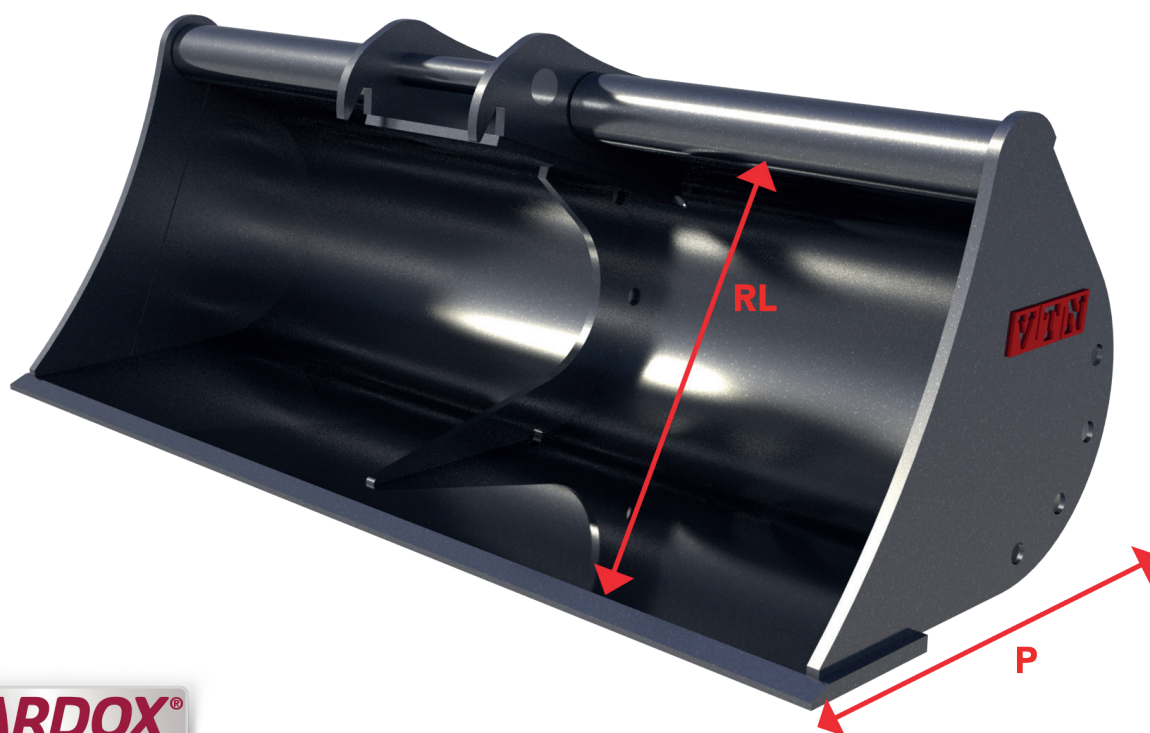


# DITCH CLEANING BUCKETS

## FOR MAX LOCK



6

**HARDOX**<sup>®</sup>  
IN MY BODY

VTN EUROPE S.p.A. has developed a range of dedicated buckets specifically for Max Lock Coupling System.

#### MAIN FEATURES:

- Recessed pin system in order to increase digging performances
- Heavy Duty profile. Buckets are reinforced by a structure of Hardox.
- Provided with hooks to make easier and fast their transportation into the yard.

### V20

ton  
1,4 > 1,8

CODE	mm	m <sup>3</sup>	TEETH N°	WEIGHT KG	RL mm	P mm
20P8AR035PL	800	0,067	\	47	342	345
20P1AR035PL	1000	0,086	\	55		

### V25

ton  
1,8 > 2,5

CODE	mm	m <sup>3</sup>	TEETH N°	WEIGHT KG	RL mm	P mm
25P1AR035PL	1000	0,110	\	67	382	384
25PNAR035PL	1200	0,134	\	77		

**V33**  
ton  
2,5 > 3,8

CODE	mm	m <sup>3</sup>	TEETH N°	WEIGHT KG	RL mm	P mm
33P1AR035PL	1000	0,135	\	75	429	446
33PNAR035PL	1200	0,165	\	88		
33PQAR035PL	1400	0,195	\	101		

**V38**  
ton  
3,8 > 5,8

CODE	mm	m <sup>3</sup>	TEETH N°	WEIGHT KG	RL mm	P mm
38PNAR050PL	1200	0,200	\	127	460	484
38PQAR050PL	1400	0,236	\	141		
38PRAR050PL	1500	0,254	\	150		

**V44**  
ton  
5,8 > 10

CODE	mm	m <sup>3</sup>	TEETH N°	WEIGHT KG	RL mm	P mm
44PQAR050PL	1400	0,303	\	172	528	563
44PRAR050PL	1500	0,326	\	180		
44PTAR050PL	1600	0,350	\	188		

**V49**  
ton  
10 > 12

CODE	mm	m <sup>3</sup>	TEETH N°	WEIGHT KG	RL mm	P mm
49PQAR065PL	1400	0,362	\	300	576	612
49PRAR065PL	1500	0,390	\	311		
49PTAR065PL	1600	0,419	\	328		
49PAAR065PL	1800	0,476	\	356		
49PBAR065PL	2000	0,533	\	385		

**V55**  
ton  
12 > 15

CODE	mm	m <sup>3</sup>	TEETH N°	WEIGHT KG	RL mm	P mm
55PRAR065PL	1500	0,437	\	364	622	673
55PTAR065PL	1600	0,485	\	382		
55PAAR065PL	1800	0,534	\	417		
55PBAR065PL	2000	0,598	\	455		
55PJAR065PL	2200	0,662	\	491		